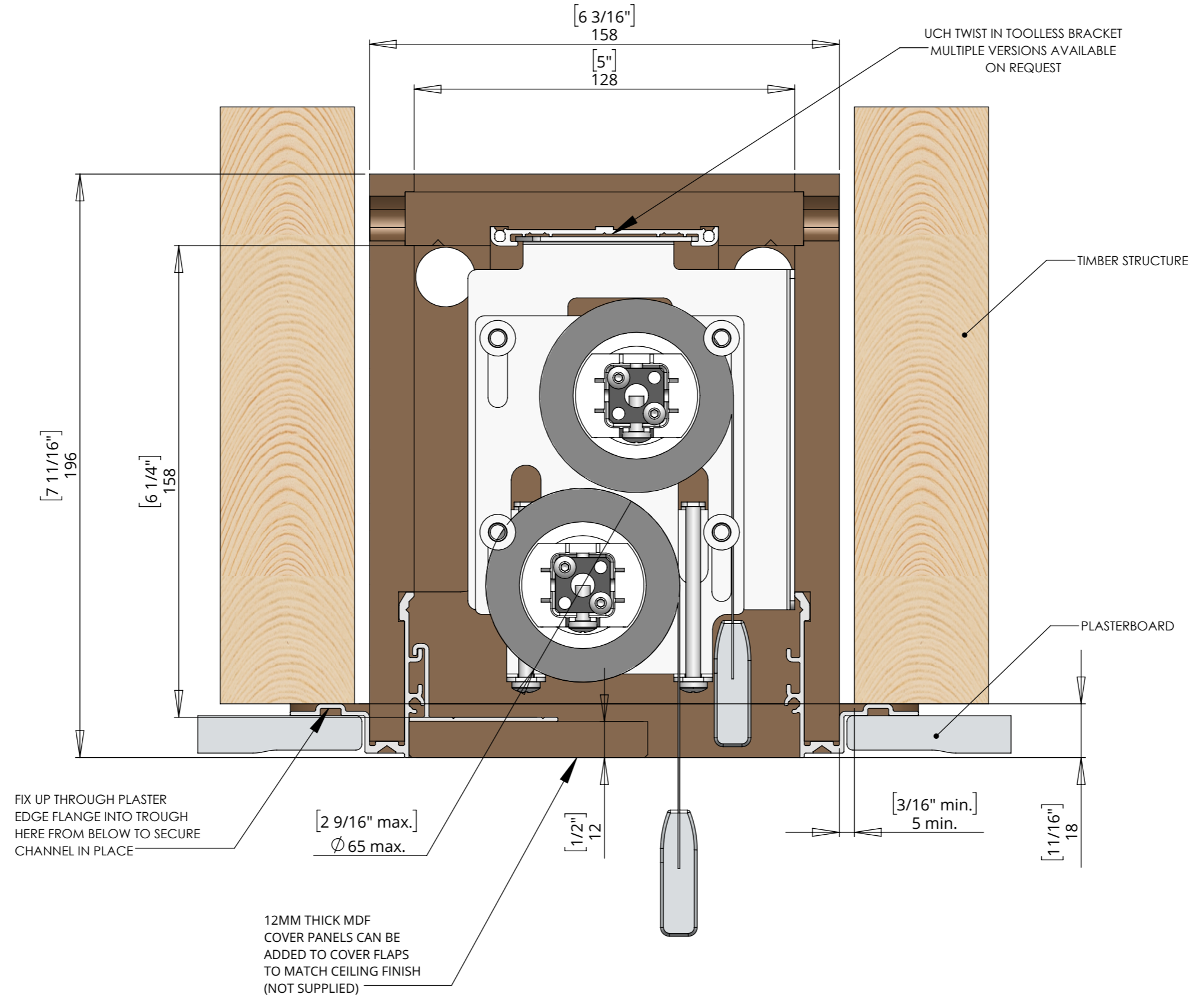


# UCH UNICHANNEL



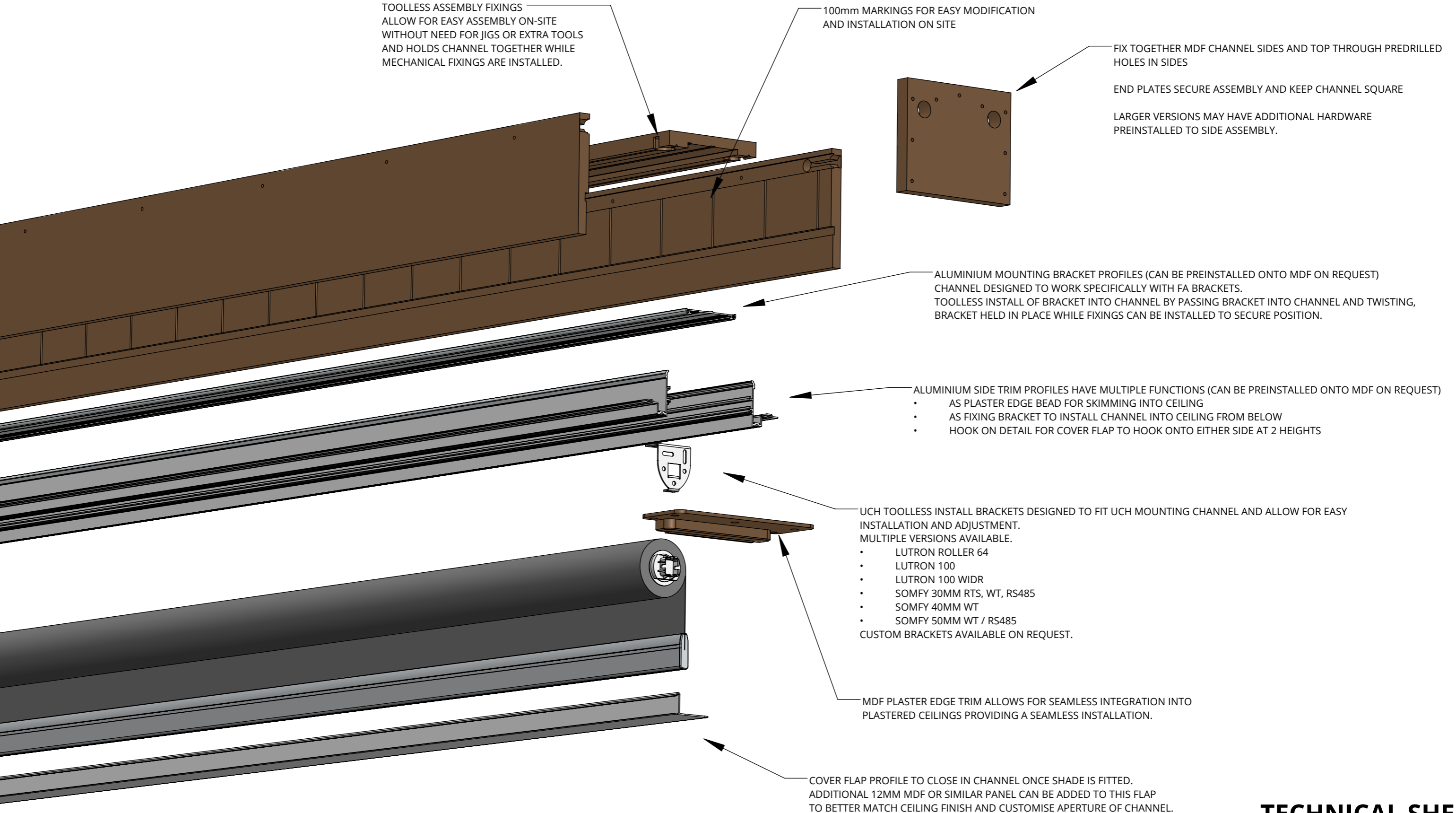
UCH - 158 X 196 - (128 X 158 INTERNAL)



# UCH UNICHANNEL



## CONSTRUCTION DETAILS



TOOLLESS ASSEMBLY FIXINGS  
ALLOW FOR EASY ASSEMBLY ON-SITE  
WITHOUT NEED FOR JIGS OR EXTRA TOOLS  
AND HOLDS CHANNEL TOGETHER WHILE  
MECHANICAL FIXINGS ARE INSTALLED.

100mm MARKINGS FOR EASY MODIFICATION  
AND INSTALLATION ON SITE

FIX TOGETHER MDF CHANNEL SIDES AND TOP THROUGH PREDRILLED  
HOLES IN SIDES

END PLATES SECURE ASSEMBLY AND KEEP CHANNEL SQUARE

LARGER VERSIONS MAY HAVE ADDITIONAL HARDWARE  
PREINSTALLED TO SIDE ASSEMBLY.

ALUMINIUM MOUNTING BRACKET PROFILES (CAN BE PREINSTALLED ONTO MDF ON REQUEST)  
CHANNEL DESIGNED TO WORK SPECIFICALLY WITH FA BRACKETS.  
TOOLLESS INSTALL OF BRACKET INTO CHANNEL BY PASSING BRACKET INTO CHANNEL AND TWISTING,  
BRACKET HELD IN PLACE WHILE FIXINGS CAN BE INSTALLED TO SECURE POSITION.

ALUMINIUM SIDE TRIM PROFILES HAVE MULTIPLE FUNCTIONS (CAN BE PREINSTALLED ONTO MDF ON REQUEST)

- AS PLASTER EDGE BEAD FOR SKIMMING INTO CEILING
- AS FIXING BRACKET TO INSTALL CHANNEL INTO CEILING FROM BELOW
- HOOK ON DETAIL FOR COVER FLAP TO HOOK ONTO EITHER SIDE AT 2 HEIGHTS

UCH TOOLLESS INSTALL BRACKETS DESIGNED TO FIT UCH MOUNTING CHANNEL AND ALLOW FOR EASY  
INSTALLATION AND ADJUSTMENT.  
MULTIPLE VERSIONS AVAILABLE.

- LUTRON ROLLER 64
- LUTRON 100
- LUTRON 100 WIDR
- SOMFY 30MM RTS, WT, RS485
- SOMFY 40MM WT
- SOMFY 50MM WT / RS485

CUSTOM BRACKETS AVAILABLE ON REQUEST.

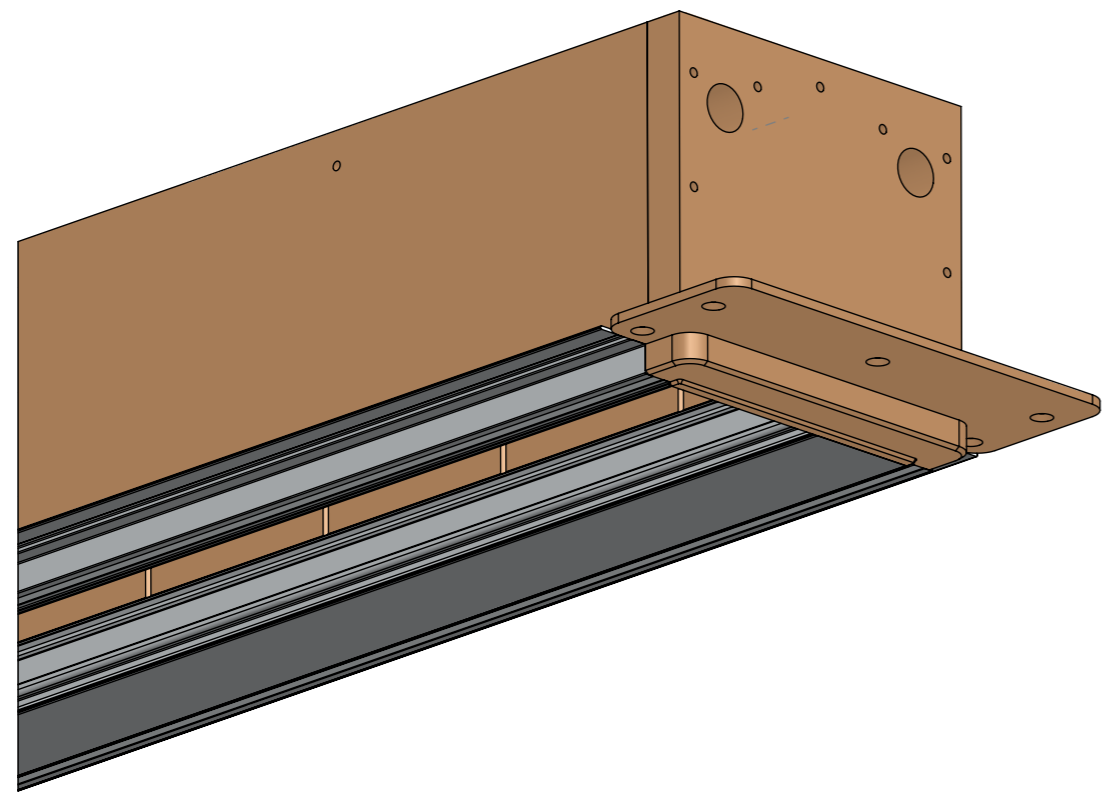
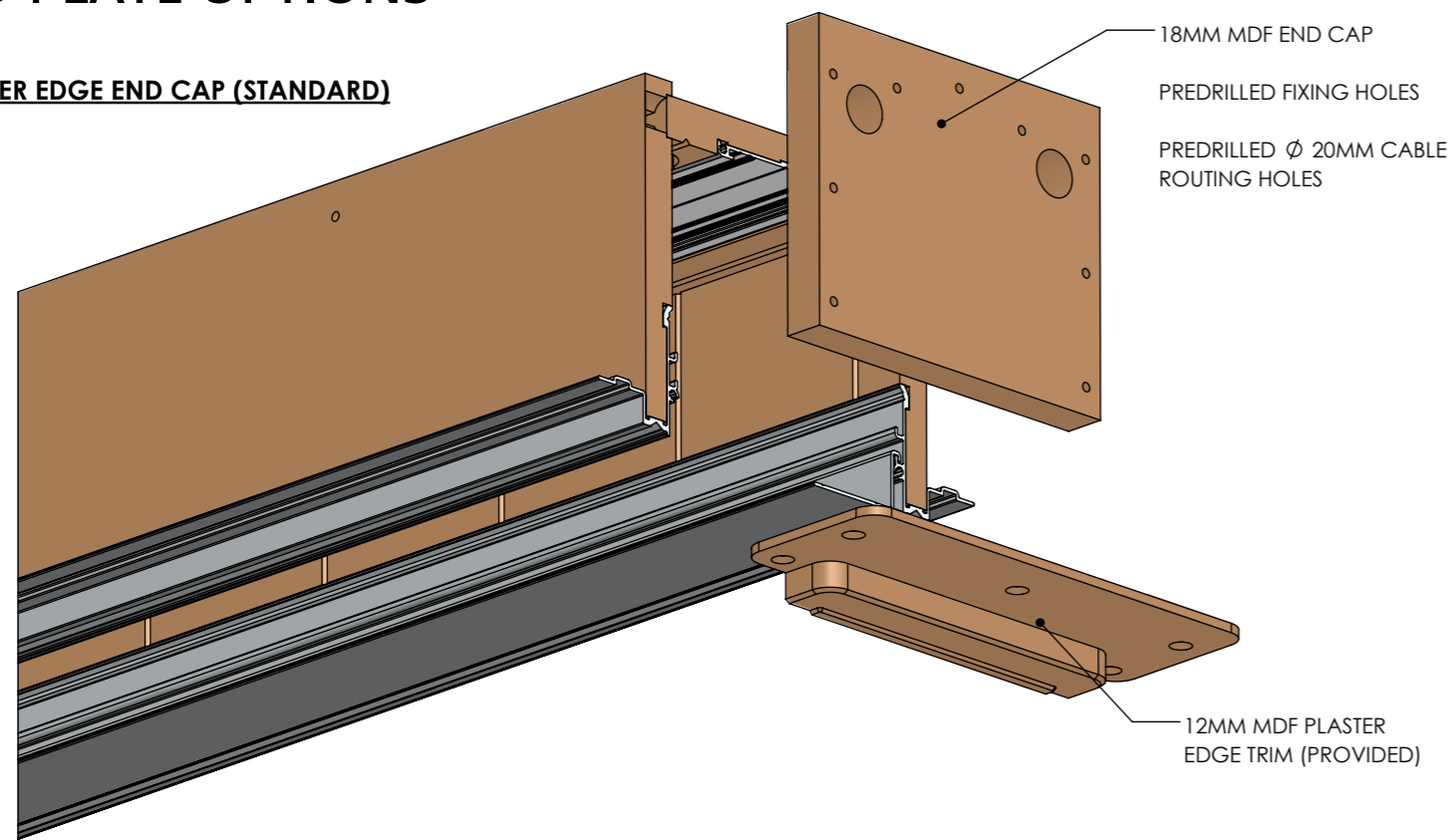
MDF PLASTER EDGE TRIM ALLOWS FOR SEAMLESS INTEGRATION INTO  
PLASTERED CEILINGS PROVIDING A SEAMLESS INSTALLATION.

COVER FLAP PROFILE TO CLOSE IN CHANNEL ONCE SHADE IS FITTED.  
ADDITIONAL 12MM MDF OR SIMILAR PANEL CAN BE ADDED TO THIS FLAP  
TO BETTER MATCH CEILING FINISH AND CUSTOMISE APERTURE OF CHANNEL.

# UCH UNICHANNEL

## END PLATE OPTIONS

### PLASTER EDGE END CAP (STANDARD)



### FLAT END CAP (ON REQUEST)

