



future automation

PS BRACKET GUIDE

WWW.FUTUREAUTOMATION.NET

VERSATILITY
RE-IMAGINED

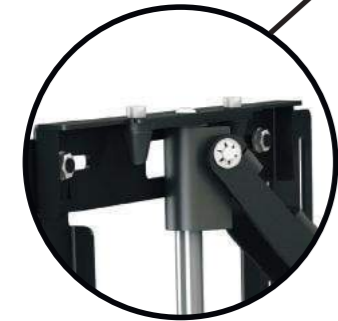
SLIMMER DESIGN FOR SLIMMER DISPLAYS

We've updated our PS brackets, creating a product that is both thinner and lighter than its' predecessor, while maintaining the smooth articulated motion and unmatched quality.

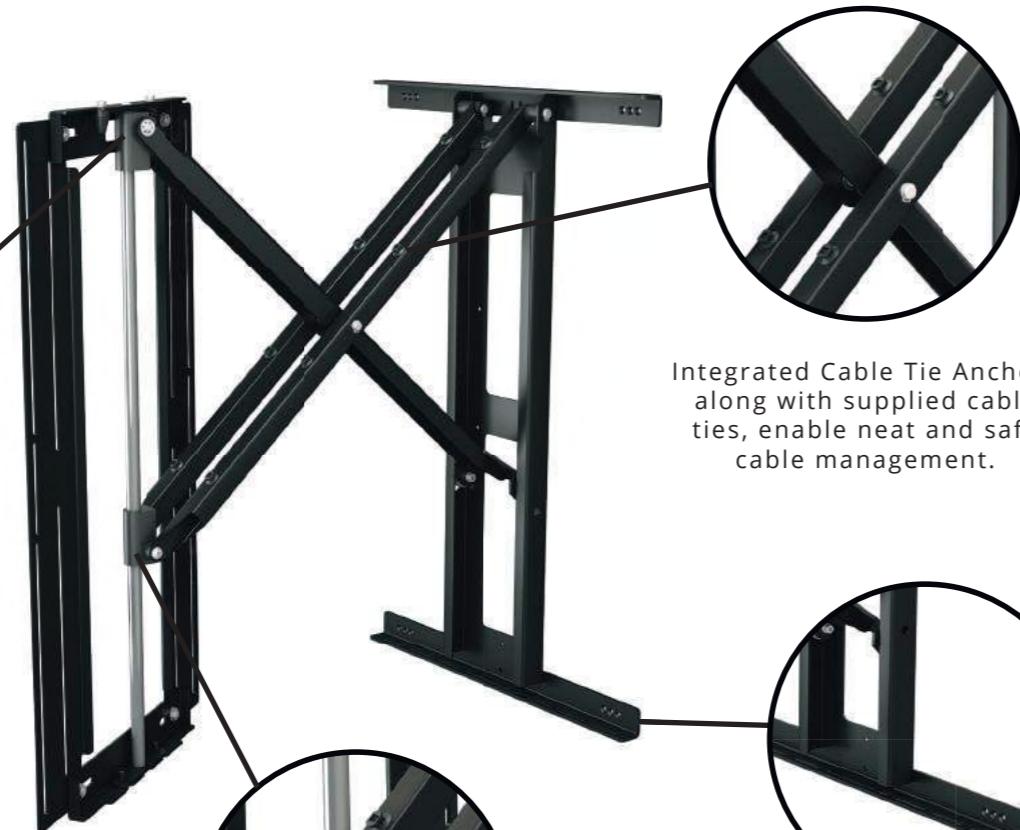
The original custom install swivel bracket is now better than ever, embracing a new age of display technology to integrate seamlessly into homes and commercial environments.



DESIGN HIGHLIGHTS



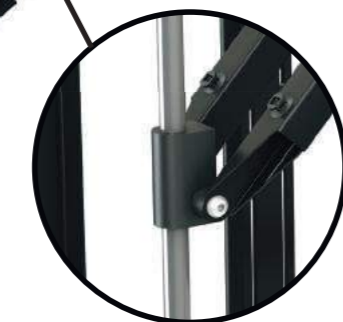
'Hook on, Hook Off' Screen Mount enables fast and easy one person fitting, even with larger screens.



Integrated Cable Tie Anchors along with supplied cable ties, enable neat and safe cable management.



Stud Rail Mounting Kit (SRK) supplied with all PS Brackets.



Up to a 50° swivel (depending on screen size)

A SEAMLESS TRANSITION

Pairing any of our PS Brackets with their compatible WB Wall Boxes enables flush screen mounting, generating a seamless transition between the display and its environment.



4.5KG (9.9LBS)
LIGHTER

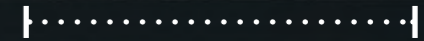
We've carefully shaved weight left right and center to make our mechanism 4.5kg (9.9lbs) lighter, or the weight of a cat.



18MM (0.7")
SLIMMER

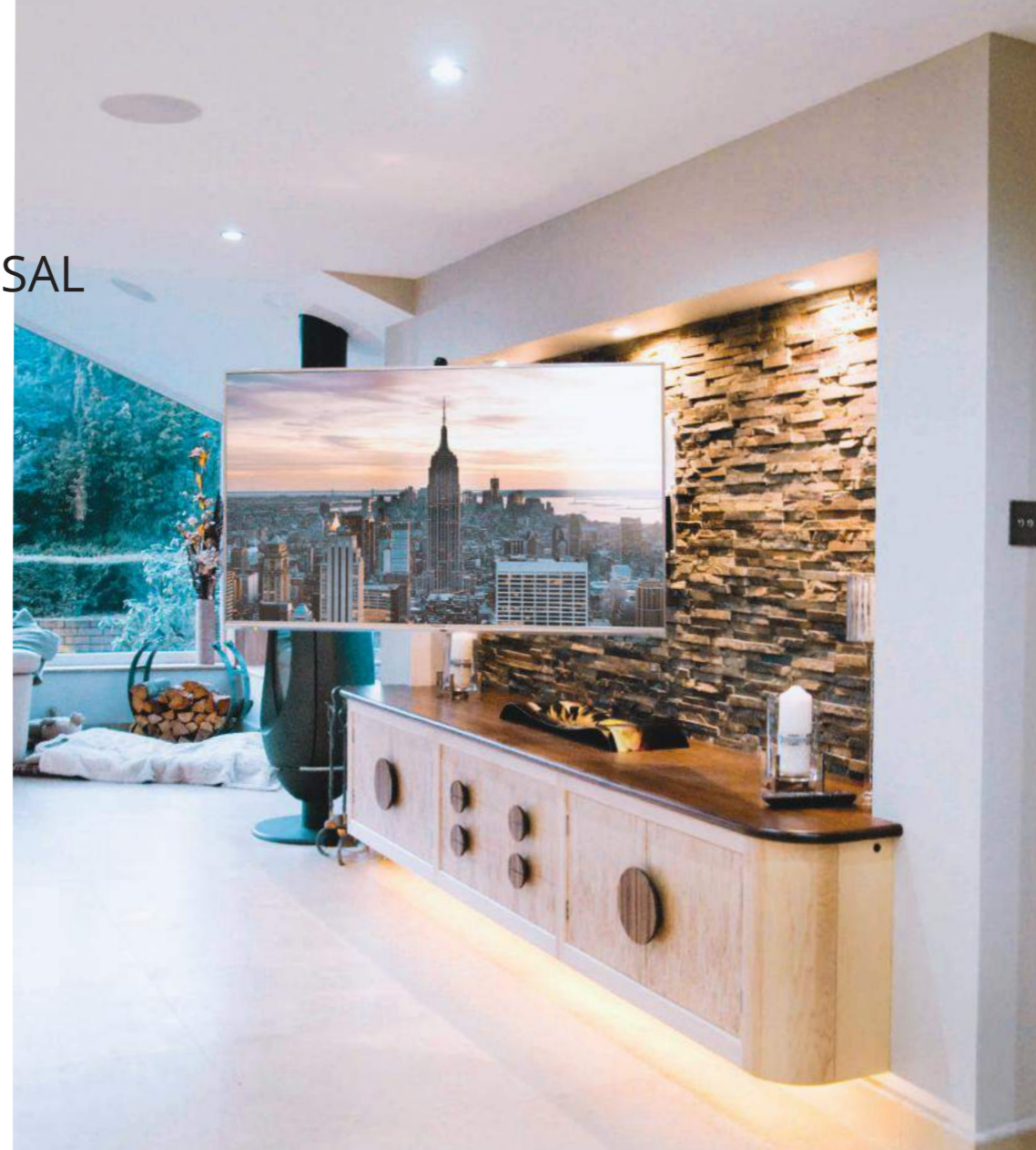
Re-engineering the PS range allowed us to reduce the overall depth of our mounts to a mere 52mm (2") making them some of the slimmest manual brackets available.

ACTUAL
DEPTH



PS MANUAL UNIVERSAL SWIVEL BRACKET

The PS Bracket is the original custom install swivel bracket. The smoothest and most reliable product on the market, the PS Bracket allows perfect parallel movement combined with the freedom and flexibility to view your flat screen in a variety of positions, creating the ultimate viewing experience. Perfect for on-wall mounting or recessing in walls for a completely flush finish.



PS40 (40"-75")

TECHNICAL SPECIFICATION

PRODUCT
COLOUR

**POWDER COATED
JET BLACK (RAL 9005)**

MAXIMUM EXTENSION
FROM WALL

400mm (15.7")

DEPTH
FROM WALL

52mm (2")

BOLT
PATTERN

**UP TO VESA 400
(VESA 600 x 400 ADD ON AVAILABLE)**



PS55 (55"-75")

TECHNICAL SPECIFICATION

PRODUCT
COLOUR

**POWDER COATED
JET BLACK (RAL 9005)**

MAXIMUM EXTENSION
FROM WALL

500mm (19.7")

DEPTH
FROM WALL

52mm (2")

BOLT
PATTERN

**UP TO VESA 400
(VESA 600 x 400 ADD ON AVAILABLE)**



PS65 (65"-75")

TECHNICAL SPECIFICATION

PRODUCT
COLOUR

**POWDER COATED
JET BLACK (RAL 9005)**

MAXIMUM EXTENSION
FROM WALL

595mm (23.4")

DEPTH
FROM WALL

52mm (2")

BOLT
PATTERN

**UP TO VESA 400
(VESA 600 x 400 ADD ON AVAILABLE)**

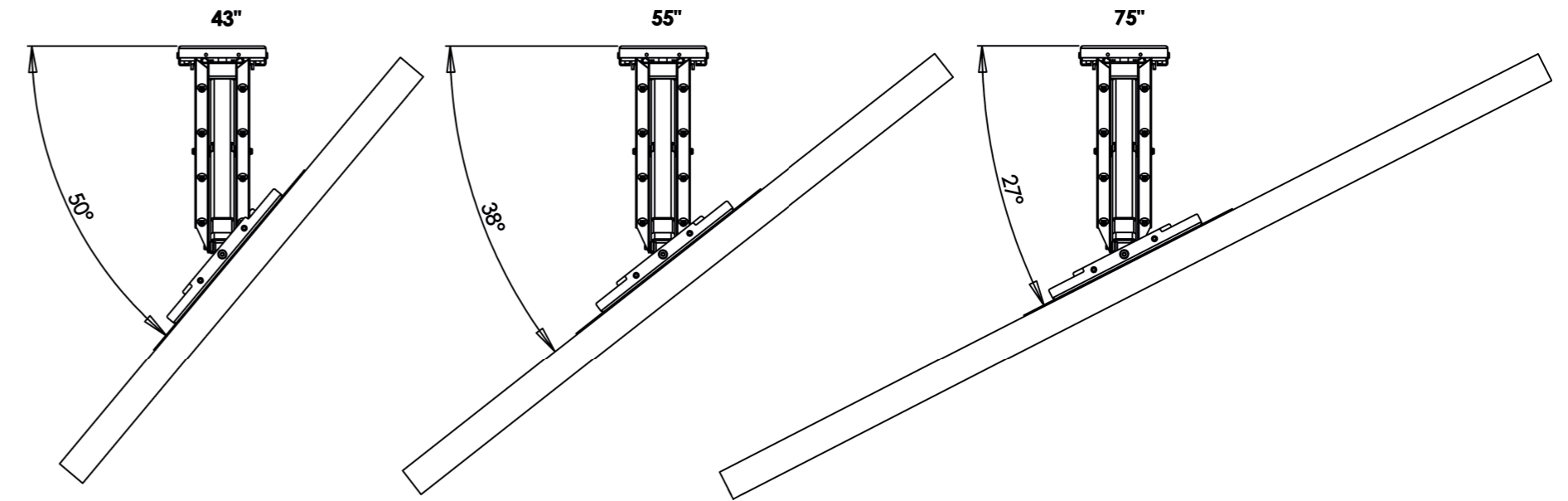
FLUID ROTATION



See how screen size affects rotational movement throughout our PS bracket range.

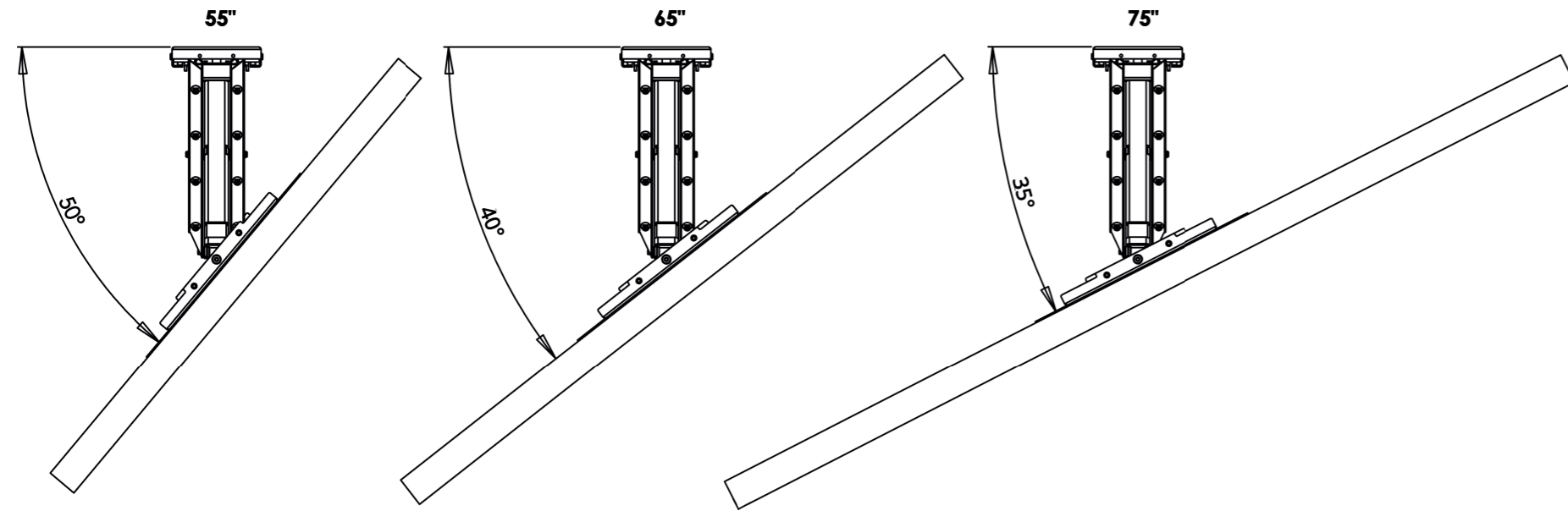
PS40 (40"-75")

Ideal for home use when combined with the smaller displays achieving maximum rotation, retain a balanced rotation to screen size ratio with a medium sized displays, or ideal for use as a service mount with a larger displays.



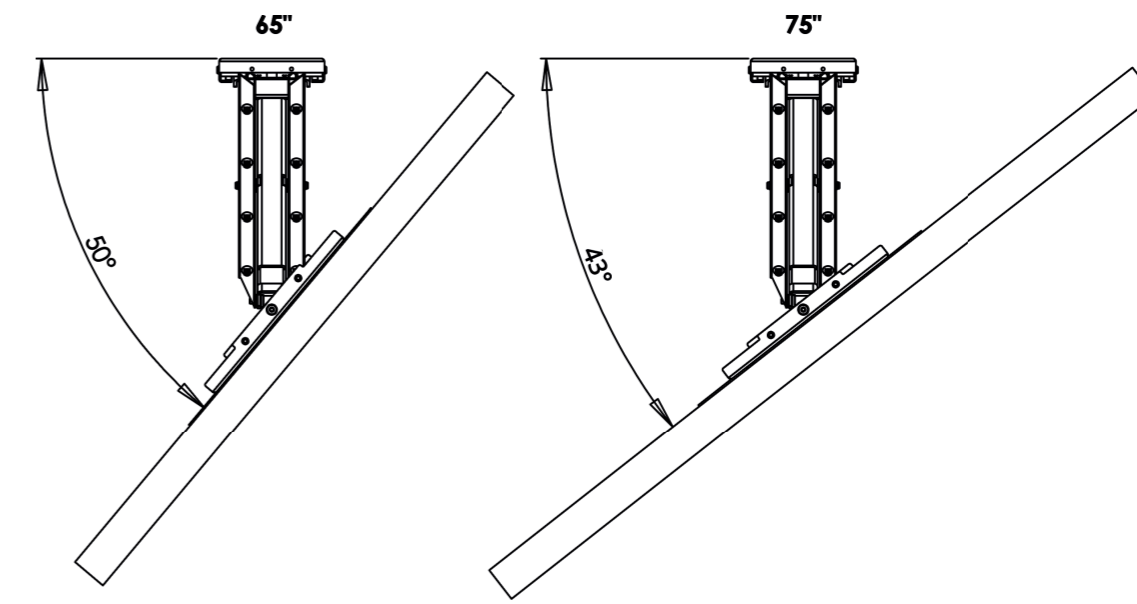
PS55 (55"-75")

The larger mount increases extension from the wall to allow for better angle of rotation with larger displays. This mount strikes a balance between screen size and versatility.



PS65 (65"-75")

Best suited to larger screens, this bracket extends farther from the wall than the PS55, enabling it to achieve an even greater rotation angle. Perfect for user who still want maximum reach and turn with their larger displays.



PS BRACKET ACCESSORIES

The following accessories are available for our entire PS bracket range, expanding their capabilities even further.



VESA 600 MOUNTING PLATE KIT (H600)



USM UNIVERSAL SPEAKER MOUNT

- Quick & Simple Installation
- Simple to retrofit
- 6-axis speaker position adjustment



AM ACCESSORY MOUNT

POPULAR COMPATIBLE DEVICES INCLUDE

- HD Anywhere Distribution Units
- Apple TV / Fire TV Boxes
- HDMI Baluns
- Mini Amplifiers
- Sky Box

WALL BOX COMPATIBILITY AT A GLANCE



PS40 (40"-75")



WB21 WB26 WB31



PS55 (55"-75")



WB26 WB31



PS65 (65"-75")



WB31

WB WALL BOXES

Three sizes of wall box allow for unmatched mounting adjustments, ensuring design never obstructs your creative vision.



WB21

WB26

WB31

SPACE TO MOVE



Our range of wall boxes allow unmatched versatility for display mounting. Vertical and Horizontal PS Bracket mount position adjustment enables installers to compensate for awkward stud placement.

WB21 WALL BOX

TECHNICAL SPECIFICATION

BRACKET
COMPATIBILITY

PS40



MINIMUM CUTOUT
HEIGHT / WIDTH / DEPTH

533mm (21") / 355mm (14") / 102mm (4")

STUD MOUNTING
WIDTH

SINGLE STUD BAY

STANDARD
FINISH

**POWDER COATED
SATIN BLACK (RAL 9005)**

MAXIMUM
JUNCTION BOXES

4

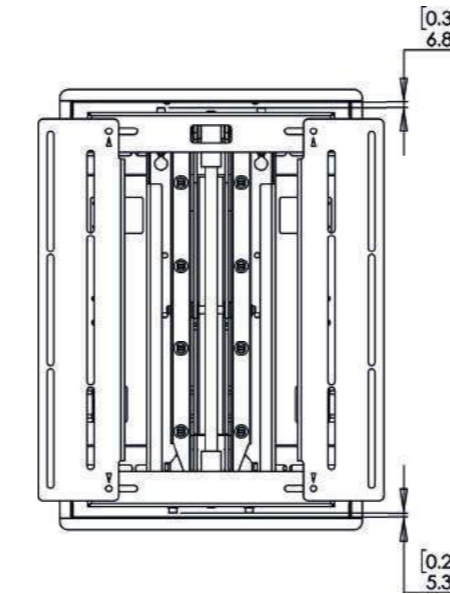
MINIMUM ACCESSORY SIZE
HEIGHT / WIDTH / DEPTH

200mm (7.8") / 40mm (1.6") / 28mm (1.1") or 56mm (2.28")



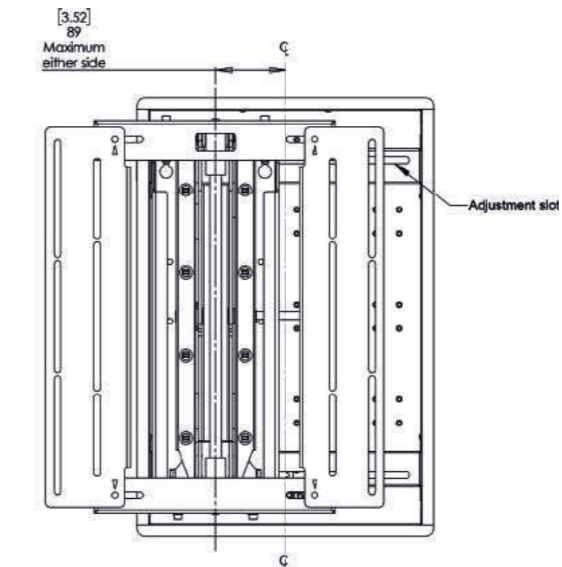
MOUNTING OPTIONS

CENTRE MOUNTING



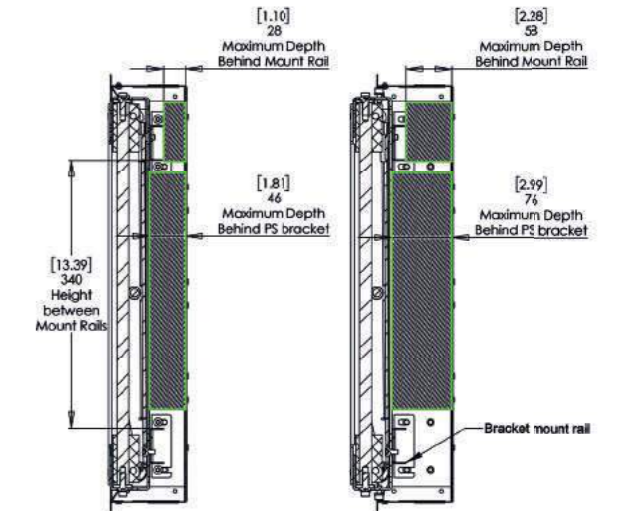
The PS40 bracket can sit centrally within the wall box.

OFF CENTRE MOUNTING



Bracket mount position can be adjusted laterally to change mounting location relative to studs.

MOUNTING DEPTH VARIANTS



Two bracket mounting depths allow increased or decreased space to accommodate accessories.

WB26 WALL BOX

TECHNICAL SPECIFICATION

BRACKET COMPATIBILITY

PS40 / PS55



MINIMUM CUTOUT HEIGHT / WIDTH / DEPTH

660mm (26") / 355mm (14") / 102mm (4")

STUD MOUNTING WIDTH

SINGLE STUD BAY

STANDARD FINISH

POWDER COATED
SATIN BLACK (RAL 9005)

MAXIMUM JUNCTION BOXES

4

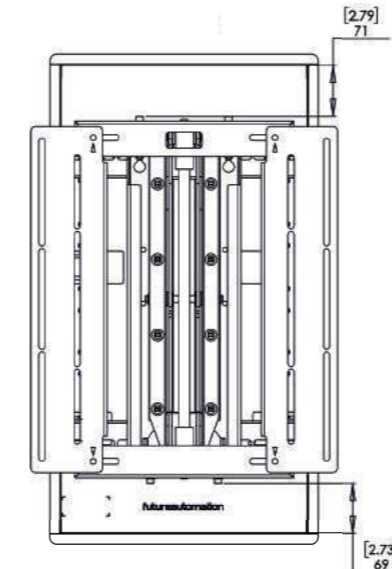
MINIMUM ACCESSORY SIZE HEIGHT / WIDTH / DEPTH

200mm (7.8") / 40mm (1.6") / 28mm (1.1") or 56mm (2.28")



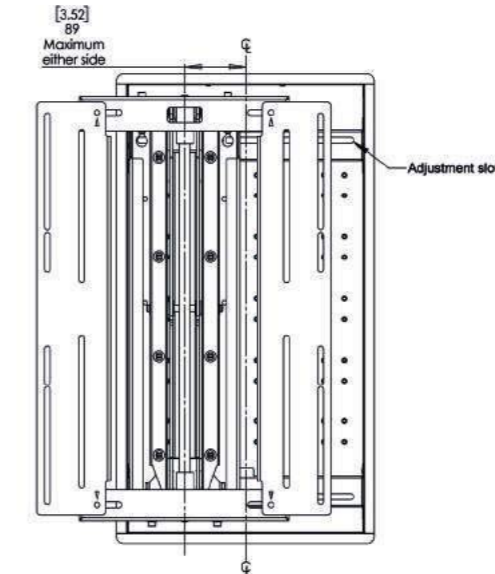
MOUNTING OPTIONS

CENTRE MOUNTING



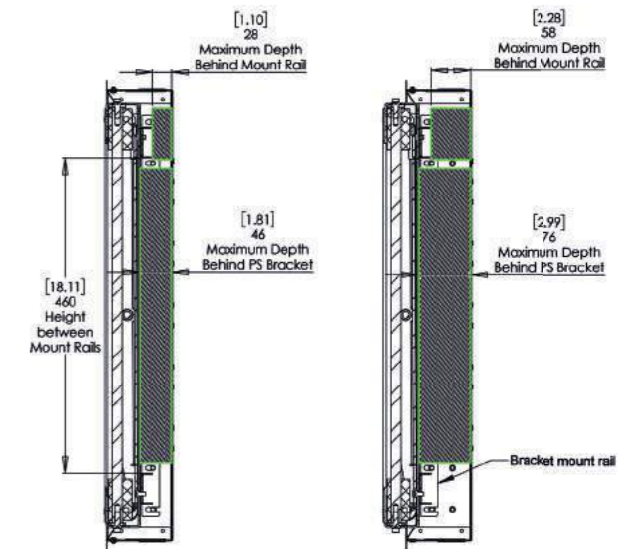
Mount a smaller PS40 bracket into this wall box for a wider selection of mounting options and more space for accessories.

OFF CENTRE MOUNTING



Bracket mount position can be adjusted laterally to change mounting location relative to studs.

MOUNTING DEPTH VARIANTS



Two bracket mounting depths allow increased or decreased space to accommodate accessories.

WB31 WALL BOX

TECHNICAL SPECIFICATION

BRACKET
COMPATABILITY

PS40 / PS55 / PS65



MINIMUM WALL CUTOUT
HEIGHT / WIDTH / DEPTH

878mm (31") / 355mm (14") / 102mm (4")

STUD MOUNTING
WIDTH

SINGLE STUD BAY

STANDARD
FINISH

POWDER COATED
SATIN BLACK (RAL 9005)

MAXIMUM
JUNCTION BOXES

4

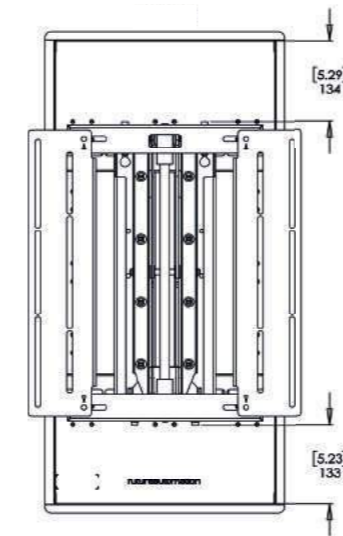
MINIMUM ACCESSORY SIZE
HEIGHT / WIDTH / DEPTH

200mm (7.8") / 40mm (1.6") / 28mm (1.1") or 56mm (2.28")



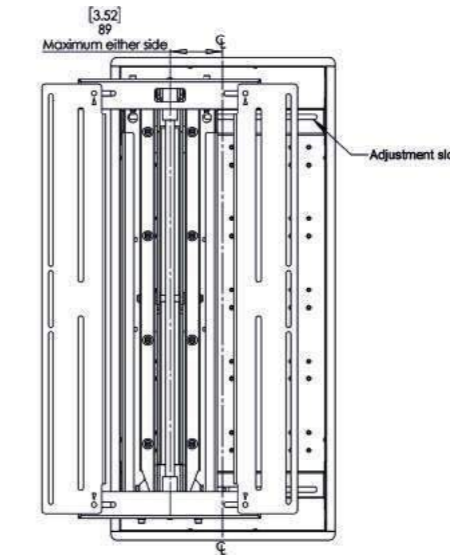
MOUNTING OPTIONS

CENTRE MOUNTING



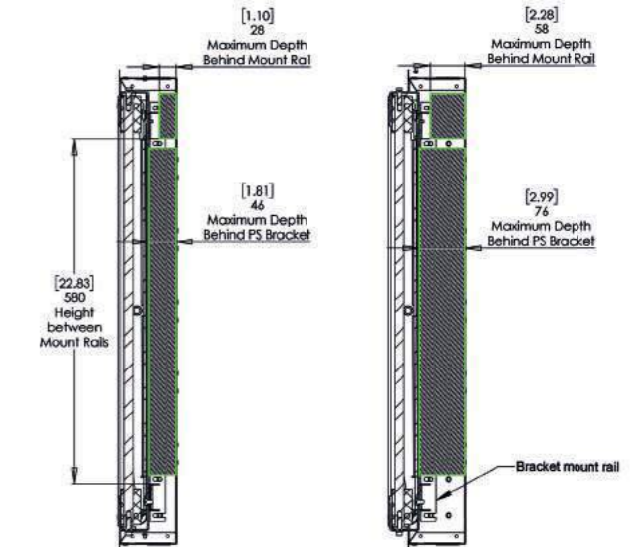
Mount a smaller PS40/PS55 bracket into this wall box for a wider selection of mounting options and more space for accessories.

OFF CENTRE MOUNTING



Bracket mount position can be adjusted laterally to change mounting location relative to studs.

MOUNTING DEPTH VARIANTS



Two bracket mounting depths allow increased or decreased space to accommodate accessories.



WATTBOX® CUTOUT

Utilizing in-wall space beneath our Wall Boxes saves precious real estate inside the box for other equipment allowing for more elaborate equipment installations.



NO GUESSWORK
REQUIRED



Our Wall Boxes can be configured to include a cutout for WattBox installation. The Wall Box arrives with a precisely machined void and pre-drilled mounting holes for a quick and simple install.

PERFECTLY FRAMED

CASE STUDY

This space saving display doubles as a flush mounted 'frame' when not in use to showcase the user's artwork and photographs. Utilising a smaller bracket combined with a Samsung One connect box, this media screen blends seamlessly with the clean design aesthetic throughout the property. Home networking is also hidden behind the display, so that unsightly cabling is hidden, while remaining easily accessible via the PS40's swivel bracket.



BEHIND THE SCENES



PS40 (40"-75")



WB21 - SAMSUNG ONE CONNECT
(SAMSUNG ONE CONNECT BOX SOLD SEPARATELY)

CORNERSTONE FEATURE

CASE STUDY

Placing a display into a room with little floor space with large windows would typically pose a problem for many brackets. However, our PS55 bracket was able to be placed on a compact area of wall space and can be swiveled for a comfortable viewing experience from both the dining and seating areas of the room. The Accessory Mount hides the cable boxes and networking, while the Universal Speaker Mount holds a sound bar to obtain optimal sound quality.



BEHIND THE SCENES



PS55 (55"-75")



**AM 2
ACCESSORY MOUNT**



**USM
UNIVERSAL SPEAKER MOUNT**



APPLE TV 4K

**NOW
PRESENTING**

**CASE
STUDY**

This particular office uses a display to showcase important visual content during meetings and needed their display to be easily serviceable. The display was placed onto the PS40 bracket with the WB31 with a Wattbox cutout to allow for expanded power and networking, while being easily accessible from the rear by service engineers.



**BEHIND
THE SCENES**



PS40 (40''-75'')



WB31



WATTBOX®



**CRESTRON
DM-NVX-350**



**WYRESTORM
EXP-CON-4K-DD**



APPLE TV 4K

PREMIER MANUFACTURERS OF MOVING AUDIO AND VISUAL SOLUTIONS

We have crafted the most diverse range of moving home automation solutions aimed towards providing a unique experience for our customers.

All of our products are designed and manufactured in our UK and US facilities where we have used our state of the art production processes to create a product that is unmatched in both quality and reliability. Our team is dedicated to consistently improving our existing product lines and innovating in new areas to design functional and reliable mechanisms that discreetly integrate into your existing space.



HOME ADVANTAGE

Keeping our entire production process in house allows us to assess the quality of our product at every manufacturing stage from design to delivery. This helps us ensure that the mechanisms we produce all meet our exacting standards, every time.



BESPOKE DESIGNS

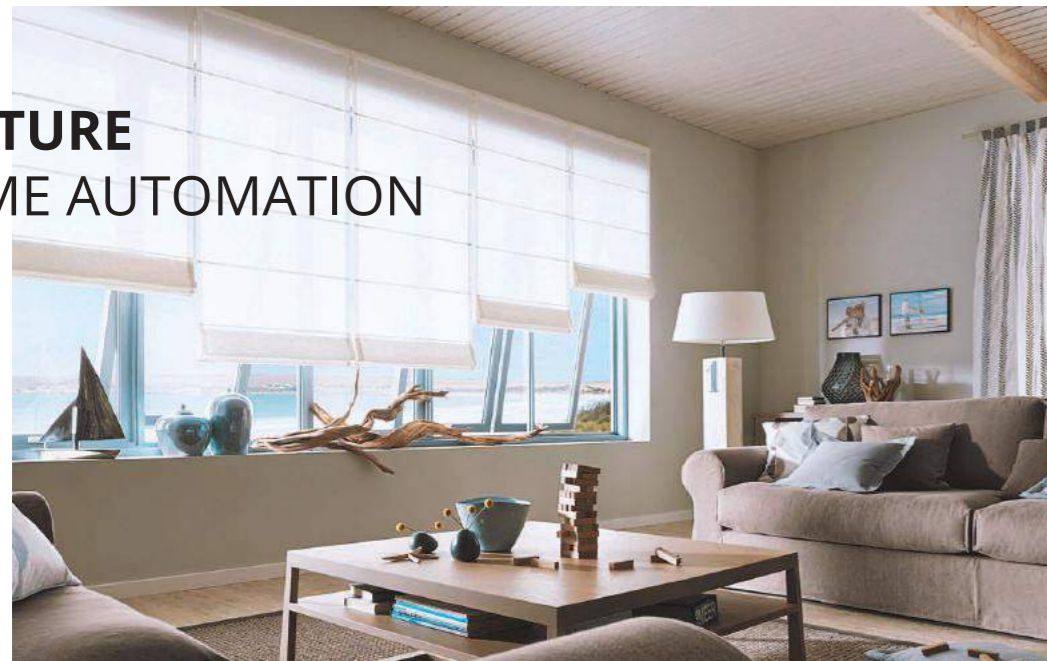
Can't see a product that fulfils your specifications?

Our in house designers can create bespoke mechanisms that will seamlessly integrate into your residential, or commercial project.

Our online case studies showcase a selection of our previous bespoke projects.



THE FUTURE OF HOME AUTOMATION



Through working with professionals in a number of key areas including; interior design, custom installation and furniture design, we have expanded our production capabilities to better suit the ever changing needs of our customers.

In addition to our complete range of motorised audio and visual solutions, we are able to provide customers with more elaborate mechanisms that can be used in custom installations. These can range from automated blackout blinds to moving sofas and can be installed into a variety of unique environments from super-yachts to restaurants.

CONTACT INFORMATION

European Offices

Email

Website

North American Offices

Email

Website

+44 (0) 1438 833 577

info@futureautomation.co.uk

www.futureautomation.co.uk

+1 (603) 742 9181

info@futureautomation.net

www.futureautomation.net

PRODUCT INFORMATION

For more detailed product information please visit our website.

The website provides access to full technical information, as well as tools to help with selecting and specifying mechanisms.

