

INSTRUCTION SHEET

BG-17-AXS-GG-XX

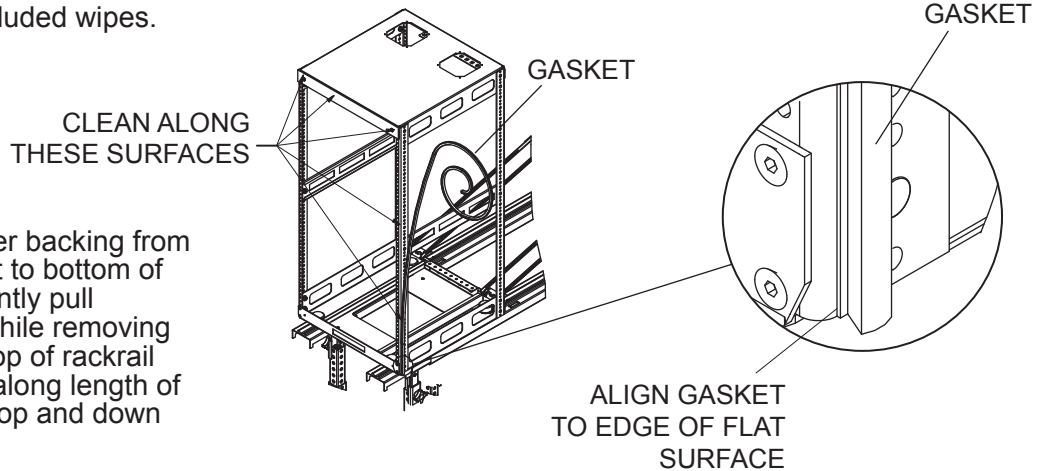
GASKET AND GUIDE KIT

INSTALLATION

INSTALL GASKET

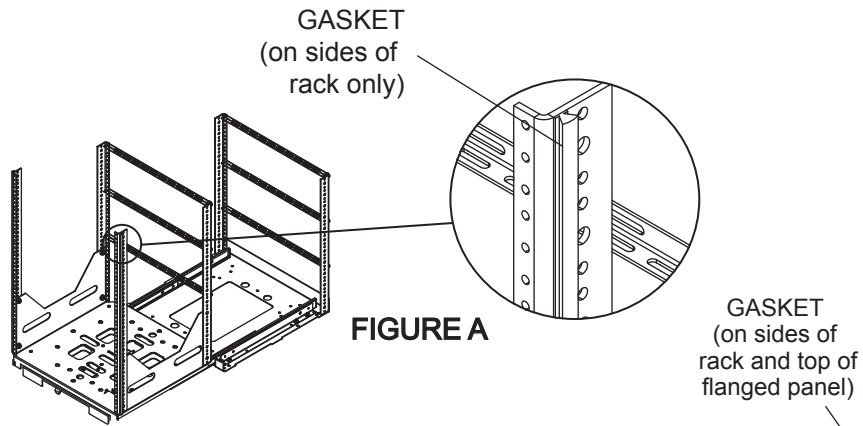
IMPORTANT NOTE
When using the gasket and guide kit, the minimum millwork rough opening width is 19-5/8"

- 1) When using the optional gasket to fill gaps between the rack and millwork, remove dust and debris from rack surface with included wipes.

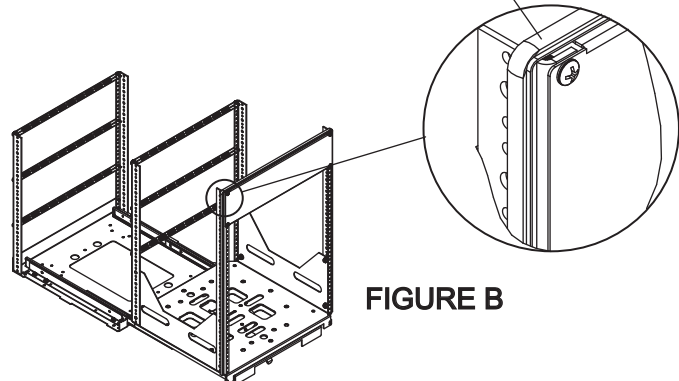


- 2) Remove some of the paper backing from gasket and adhere gasket to bottom of rackrail where shown. Gently pull gasket up to top of rack while removing backing. Align gasket at top of rackrail and adhere. Press firmly along length of gasket. Continue across top and down opposite side of rack.

- 3) Trim excess length.



HINT: When installing gasket onto SRS or SRSR, place gasket on the sides of rackrail (see **FIGURE A**). If gasket is needed across the top of the rack, the top space will require a flanged panel or a component with a flat top. (see **FIGURE B**)



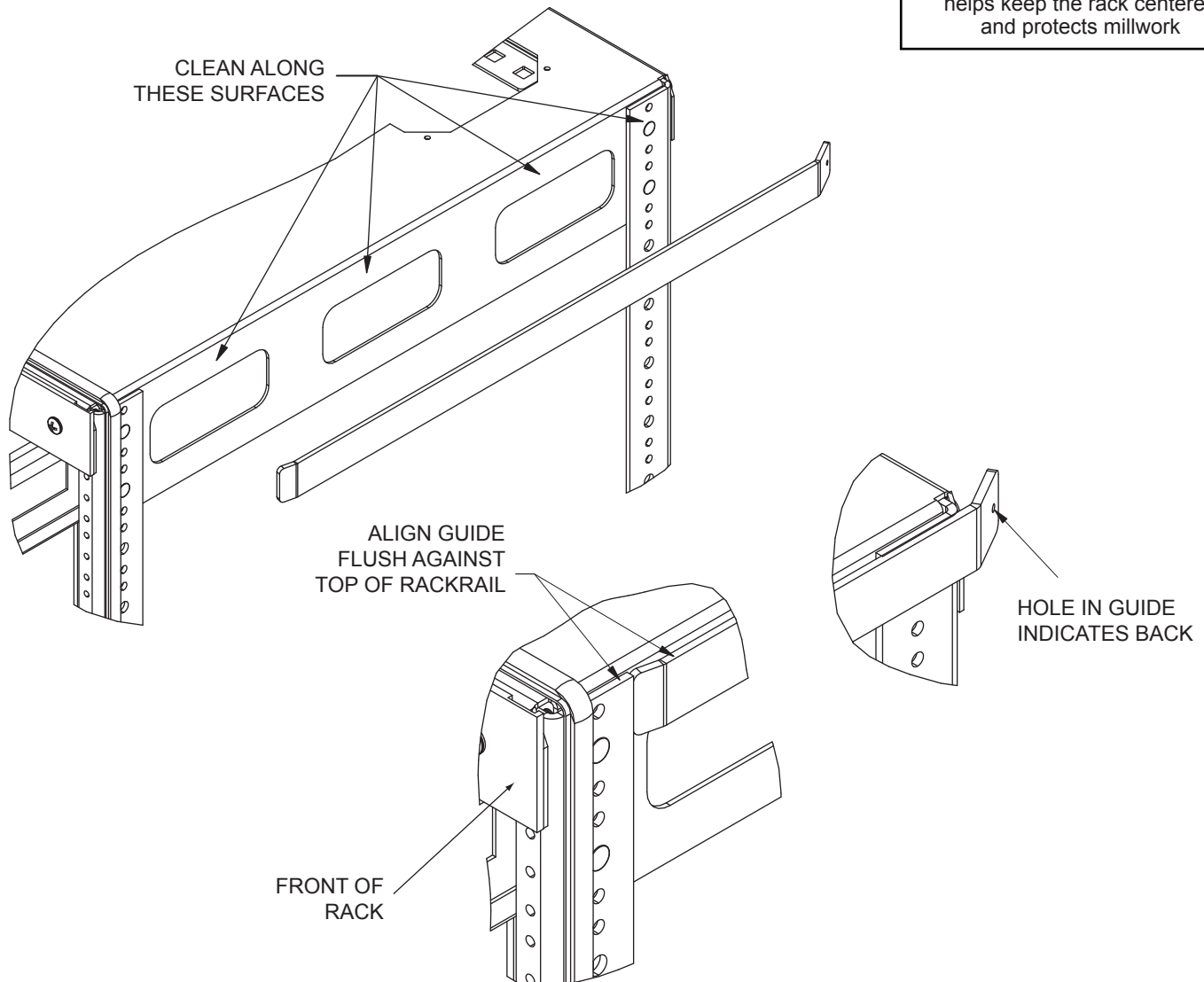
INSTALL GUIDE (If included in package)

- 1) When using optional guide kit to help keep the rack centered and protect millwork, remove dust and debris from rack surface with included wipes. Remove paper backing from adhesive and install guides as shown. Press firmly

DID YOU KNOW?

The guide and gasket kits may be used to enhance AXS, AX-SX, SAX, SSAX and AX-SXR enclosures

The gasket fills the gap between rack and millwork. The guide kit helps keep the rack centered and protects millwork



WARRANTY

Middle Atlantic Products, Inc. (the "Company") warrants the BG-17 / AXS-GG to be free from defects in material or workmanship under normal use and conditions for a period of (3) three years from date of shipment by the company. The Company's entire liability to the purchaser, and the purchaser's (or any other party's) sole and exclusive remedy, under this warranty shall be limited, at the Company's option, to either (a) return of and refund of the price paid for, or (b) repair or replacement at the Company's factory of the products purchased, or any part or parts thereof, which the Company has determined to be defective after inspection thereof at the Company's factory. This warranty does not cover damage due to acts of God, accident, misuse, abuse or negligence by parties other than the Company, or any modification or alteration of the products. In addition, this warranty does not cover damage due to improper handling, assembly, installation or maintenance.

THIS WARRANTY IS IN LIEU OF ALL OTHER WARRANTIES OF ANY KIND, EITHER EXPRESSED OR IMPLIED, INCLUDING, BUT NOT LIMITED TO, IMPLIED WARRANTIES OF MERCHANTABILITY AND FITNESS FOR A PARTICULAR PURPOSE.

TO THE MAXIMUM EXTENT PERMITTED BY APPLICABLE LAW, IN NO EVENT SHALL THE COMPANY BE LIABLE FOR ANY SPECIAL, INCIDENTAL, INDIRECT, OR CONSEQUENTIAL DAMAGES WHATSOEVER (INCLUDING, WITHOUT LIMITATION, DAMAGES FOR LOSS OF BUSINESS PROFITS, BUSINESS INTERRUPTION OR ANY OTHER PECUNIARY LOSS) ARISING OUT OF THE USE OF THE PRODUCTS PURCHASED, EVEN IF THE COMPANY HAS BEEN ADVISED OF THE POSSIBILITY OF SUCH DAMAGES. THE COMPANY'S LIABILITY TO THE PURCHASER (OR ANY OTHER PARTY) HEREUNDER, IF ANY, SHALL IN NO EVENT EXCEED THE PURCHASE PRICE OF THE PRODUCTS PAID TO THE COMPANY.

Corporate Headquarters

Corporate Voice 973-839-1011 - Fax 973-839-1976 / International Voice +1 973-839-8821 - Fax +1 973-839-4982
middleatlantic.com - info@middleatlantic.com

Middle Atlantic Canada

Voice 613-836-2501 - Fax 613-836-2690 / middleatlantic.ca - contactcanada@middleatlantic.com

Factory Distribution

USA: NJ - CA - IL Canada: ON - BC

At Middle Atlantic Products we are always listening. Your comments are welcome.

Middle Atlantic Products is an ISO 9001 Registered Company.