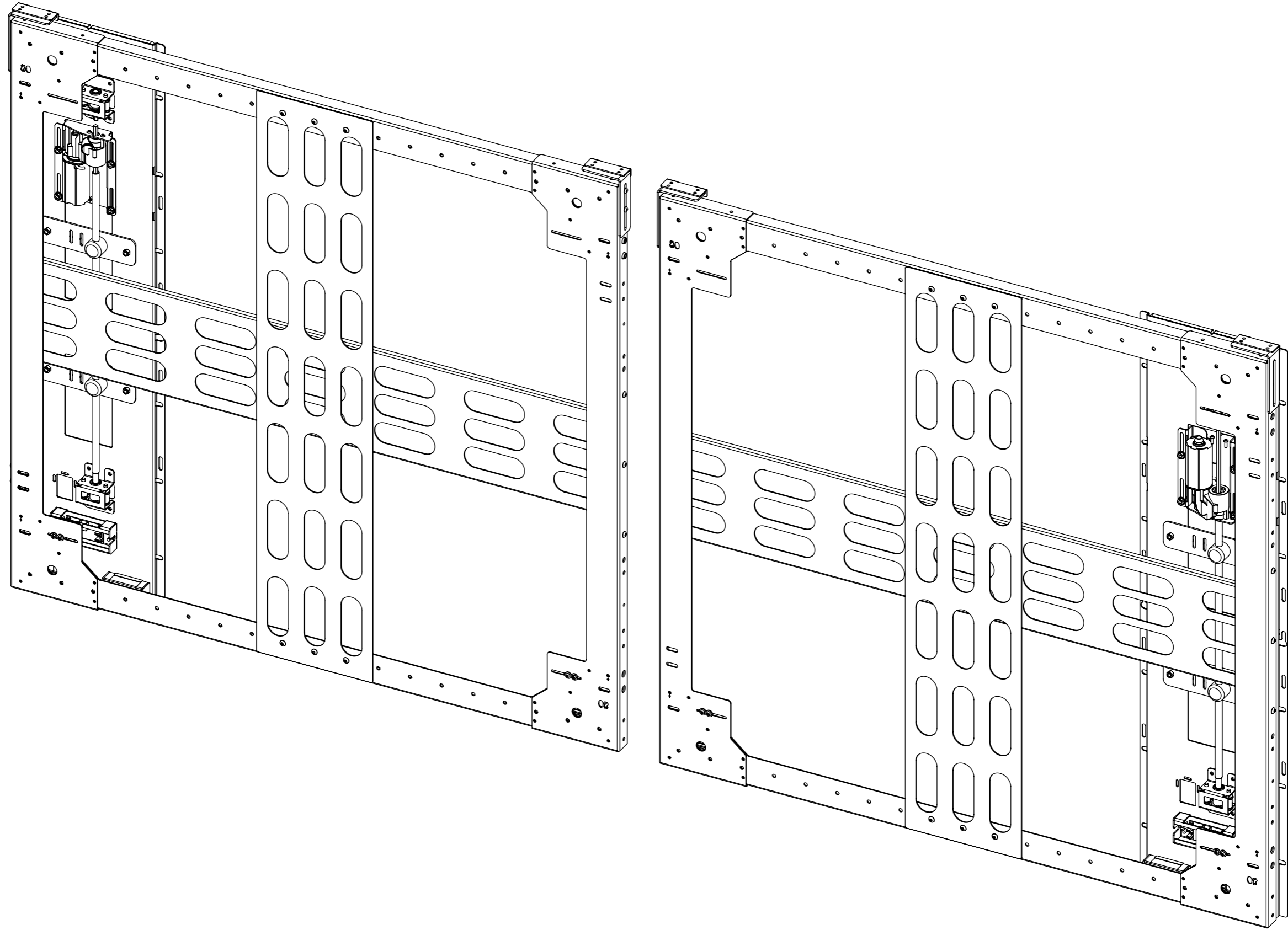


PIC SP 4

PICTURE SPLIT MECHANISM



PIC SP 4

PICTURE SPLIT MECHANISM



SPECIFICATION	MEASUREMENTS
Maximum Screen Size	75" (1905mm)
Maximum Weight Capacity	15Kg (33lb) per Panel
Maximum Speed	120mm/s
Maximum Travel	1800mm (70.9")
Depth From Wall	50mm (2.0")
Product Weight	30Kg (66lb) per Mechanism
Packaging Dimensions	TBC
Shipping Weight	TBC
Movement Type	Motorised
Power Supply Required	110V - 240V AC
Power Consumption Max.	110W
Power Consumption Standby	3W
Control Options	IR Remote, RS232, Contact Closure
Product Options / Features	Custom RAL paint finishes
Package Contents	Mechanism, IR remote control
Marine Suitable	No

PIC SP 4

PICTURE SPLIT MECHANISM

RECESS DETAILS

CABLES:

During installation, cables between the two mechanisms shall be required to run to a suitable storage location; connecting to the control box (308[12.2] x 150[5.9] x 52[2.1]).

A nominal $\varnothing 40\text{mm}[1.6]$ cable entry/exit hole is recommended to provide suitable access for cable routing.

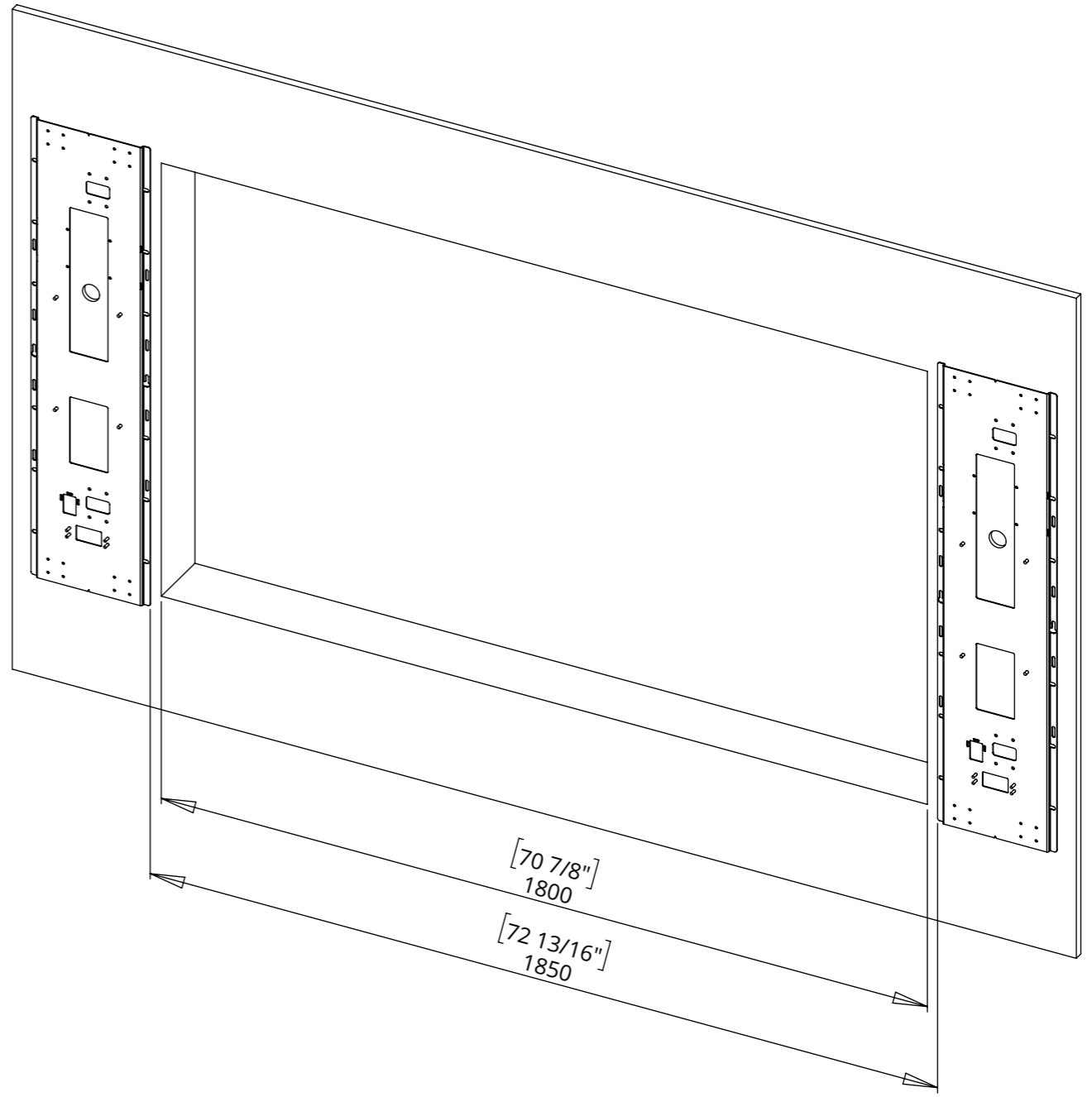
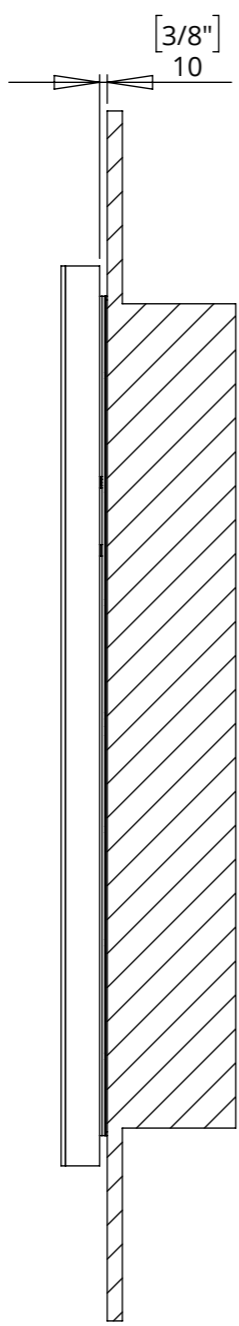
The control box shall need to be connected into a mains (13A) plug socket. An infrared receiver on a 1.5m[59.1] lead is also plugged into the control box.

PANELS:

The moving panels shall be 10mm[0.4] proud of the wall surface.

NOTE:

1800mm[70.9] is the widest recess this version of the mechanism can cover. This dimension can be reduced for small recesses but **not** increased.



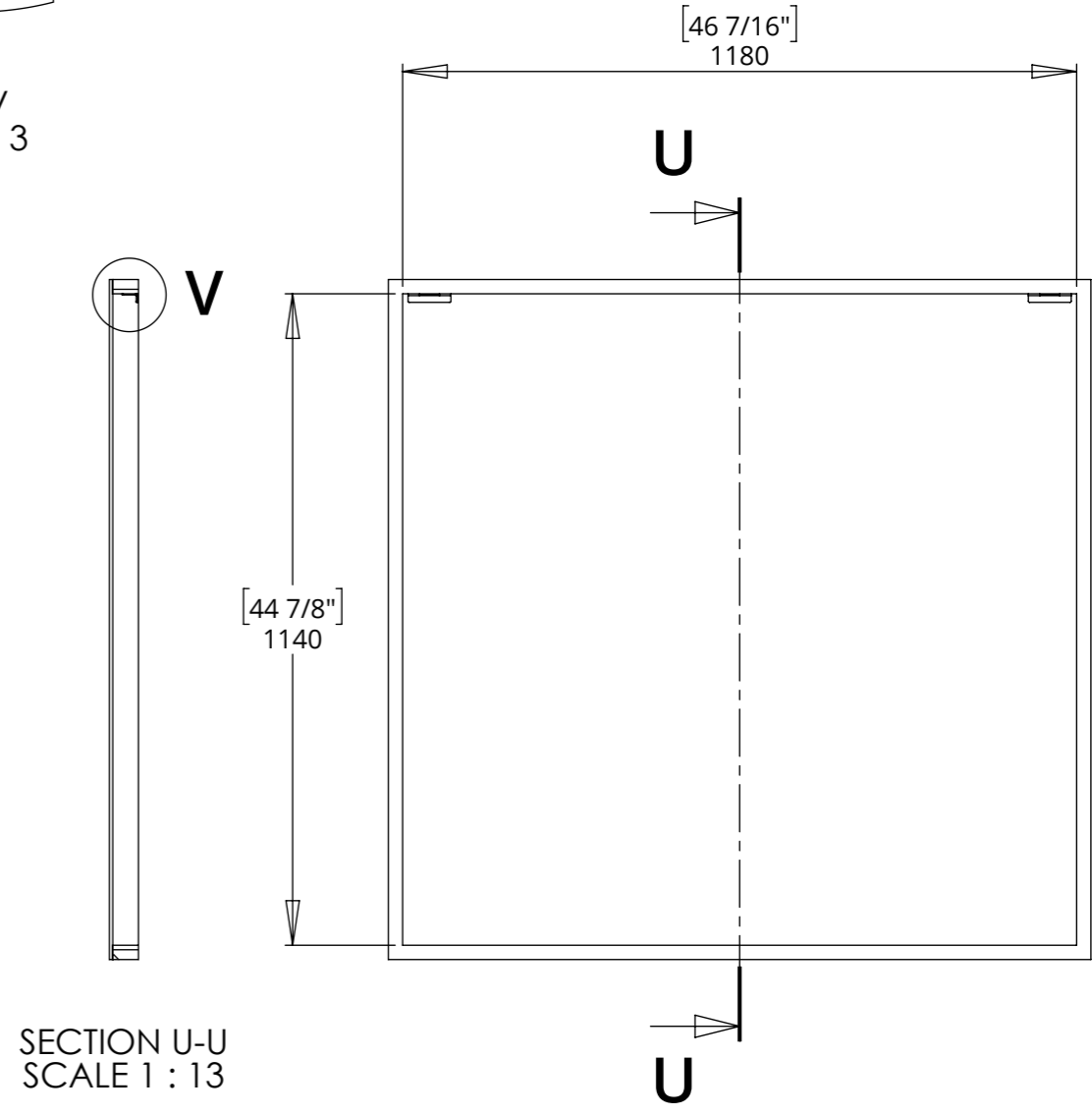
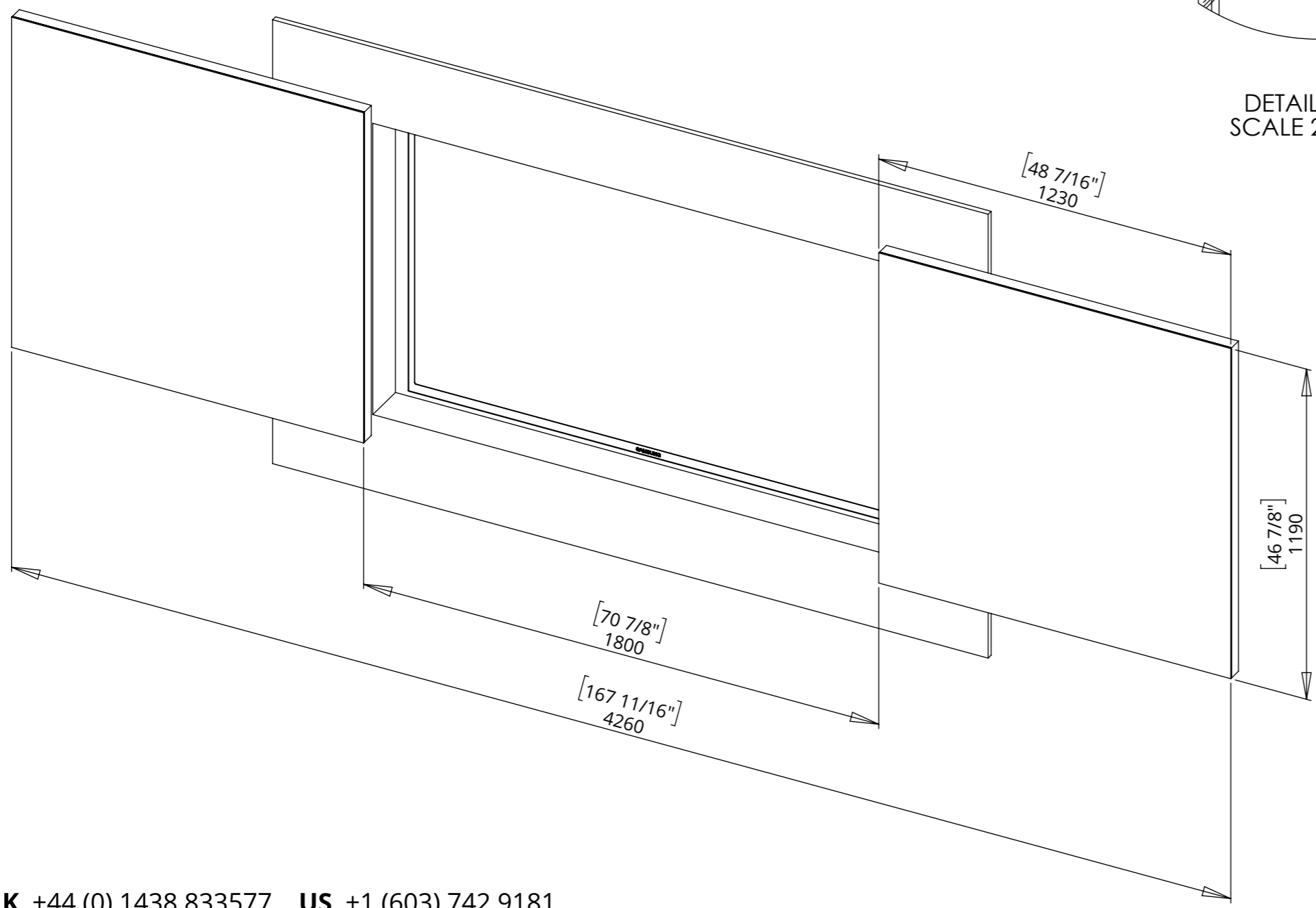
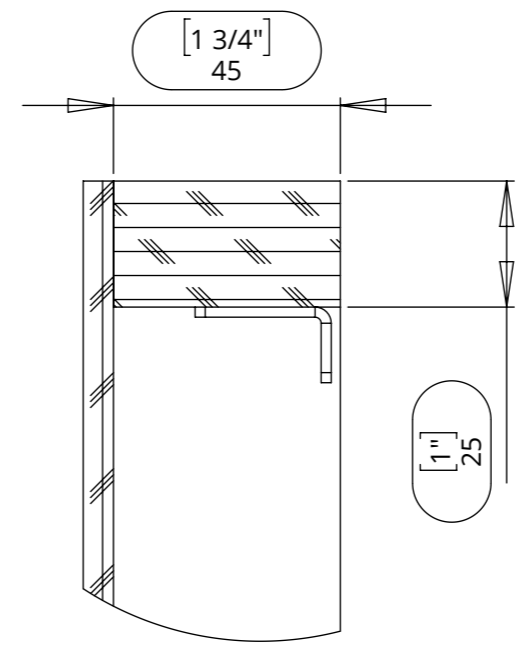
PIC SP 4

PICTURE SPLIT MECHANISM

PANEL DETAILS

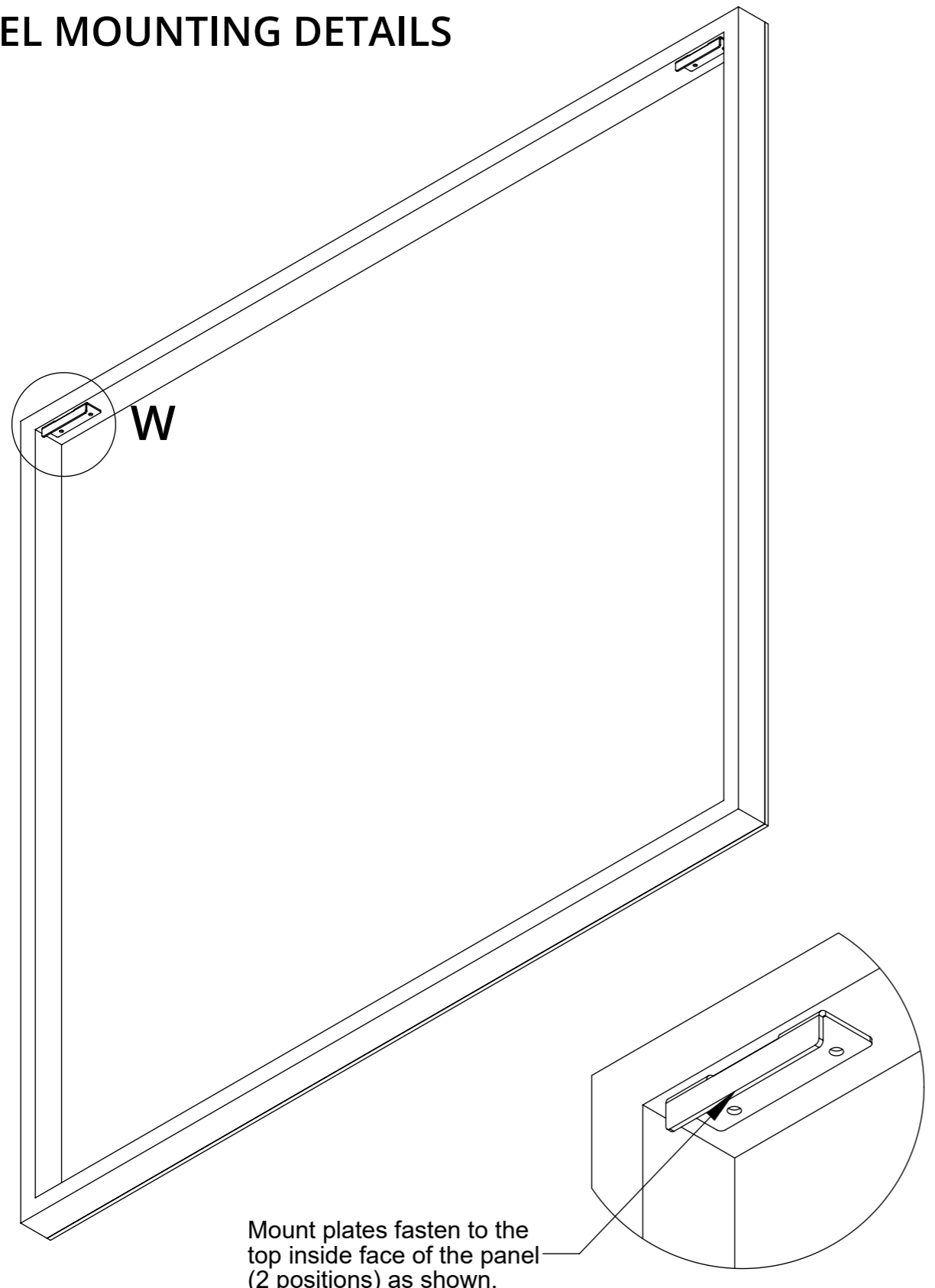
These are suggested dimensions for the panels.

The panels must have an **internal depth of 45mm** to conceal the mechanism; as shown in DETAIL V.

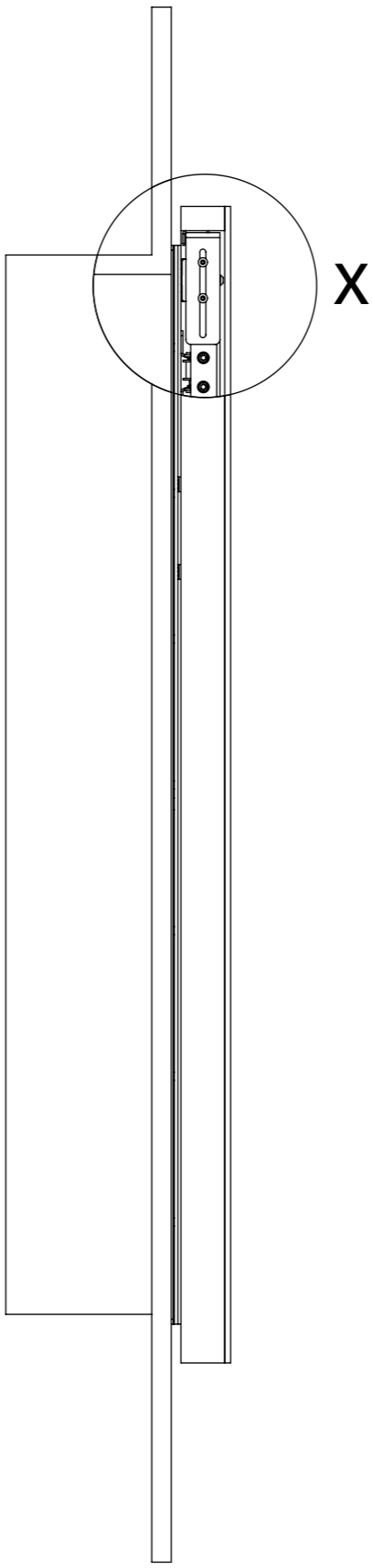


PIC SP 4 PICTURE SPLIT MECHANISM

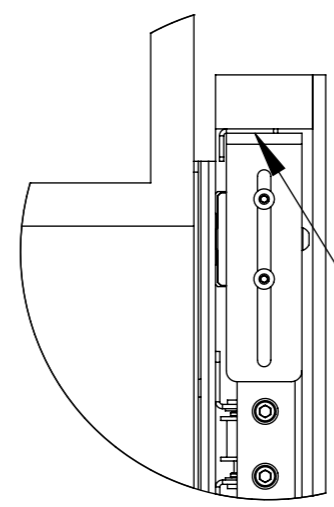
PANEL MOUNTING DETAILS



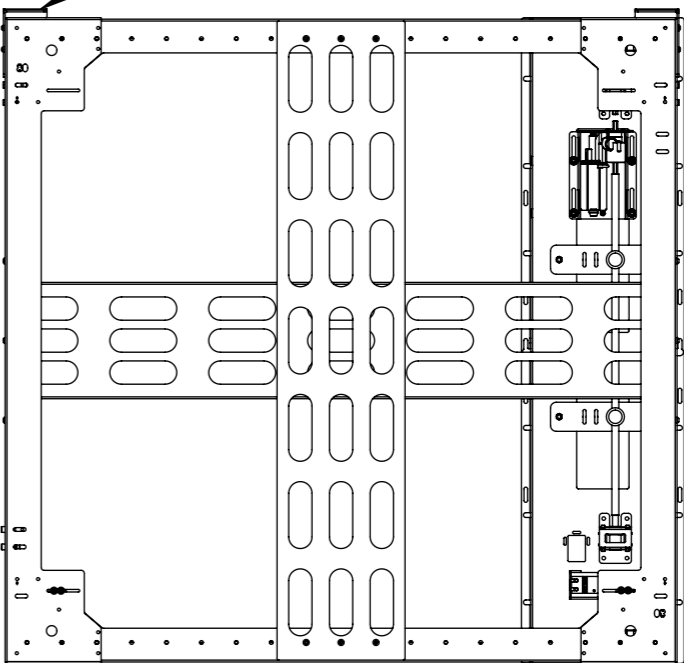
DETAIL W
SCALE 1 : 2



DETAIL X
SCALE 2 : 7



Panel mount plates hook onto two bolts. The height of the bolts can be adjusted to ensure the panels are level.



One side of Picture Split mechanism shown; other side omitted for clarity.

Mechanisms supplied as a pair.

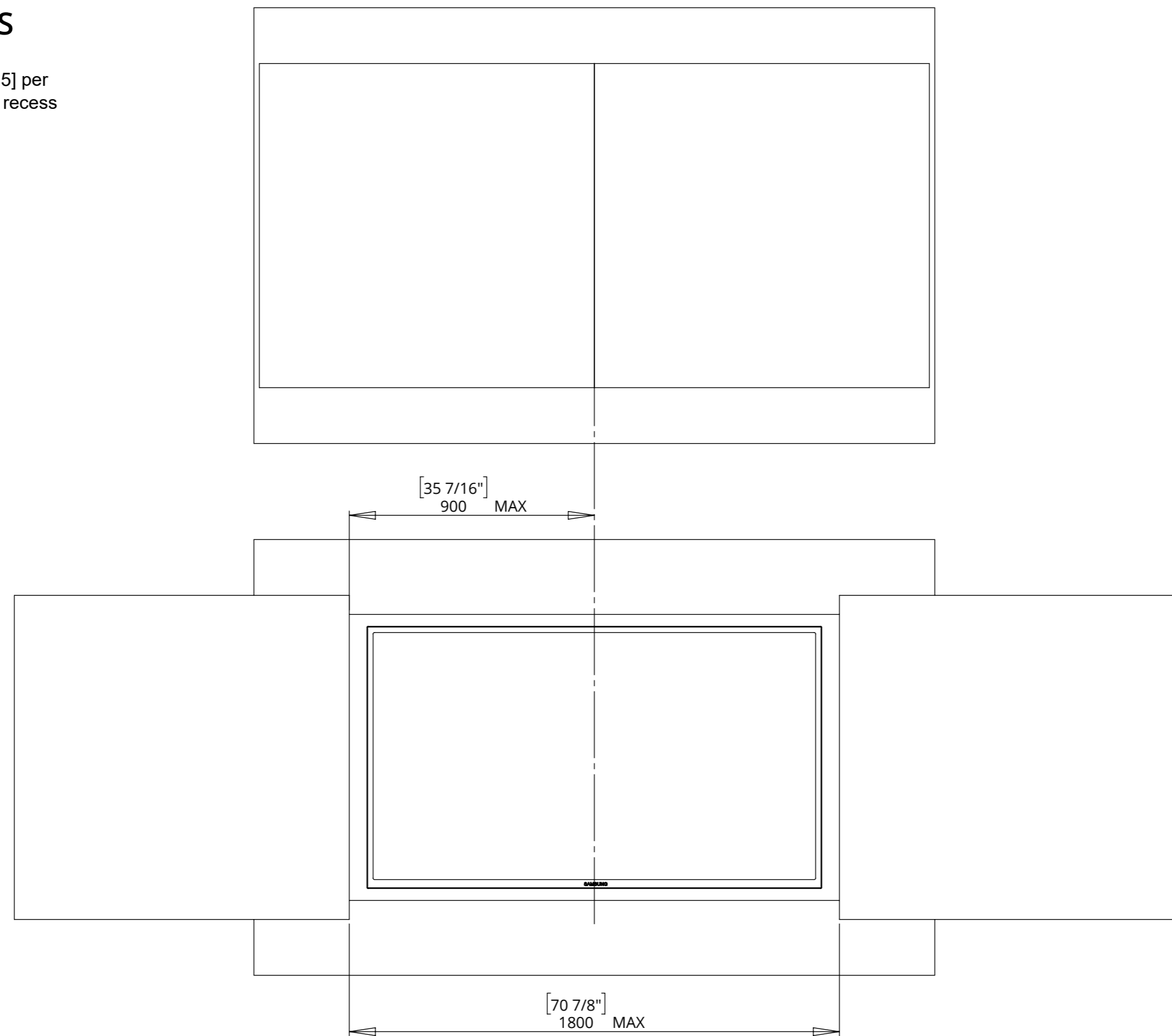
PIC SP 4

PICTURE SPLIT MECHANISM



PANEL TRAVEL DETAILS

The maximum travel distance is 900 [35.5] per panel. This accommodates for the MAX recess width for the PIC SP 4(1800[70.9])



PIC SP 4

PICTURE SPLIT MECHANISM

MOUNTING DETAILS

These are suggested dimensions for positioning the mechanisms on the wall. The dimensions are based around the panel sizes stated on **Page 4**.

