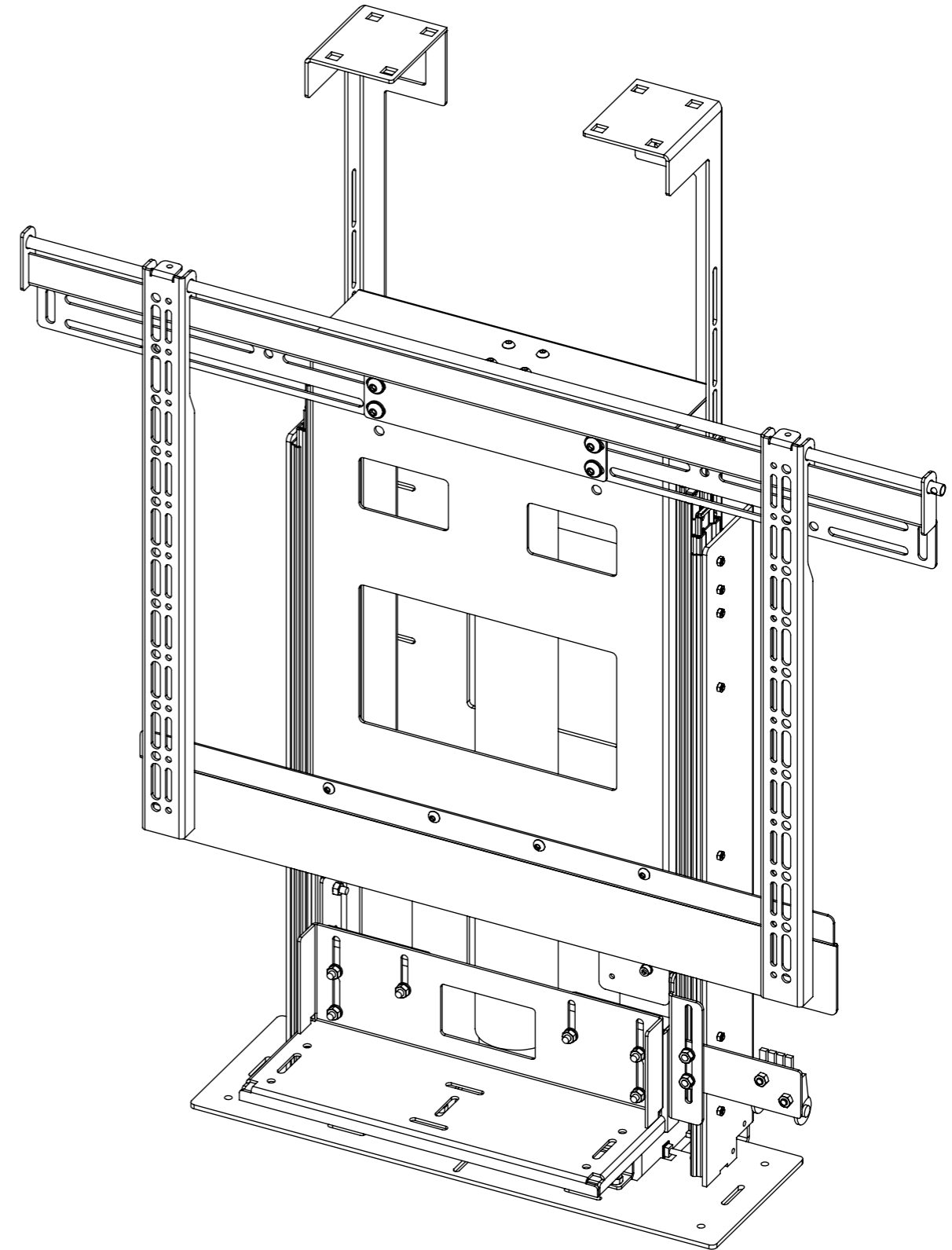
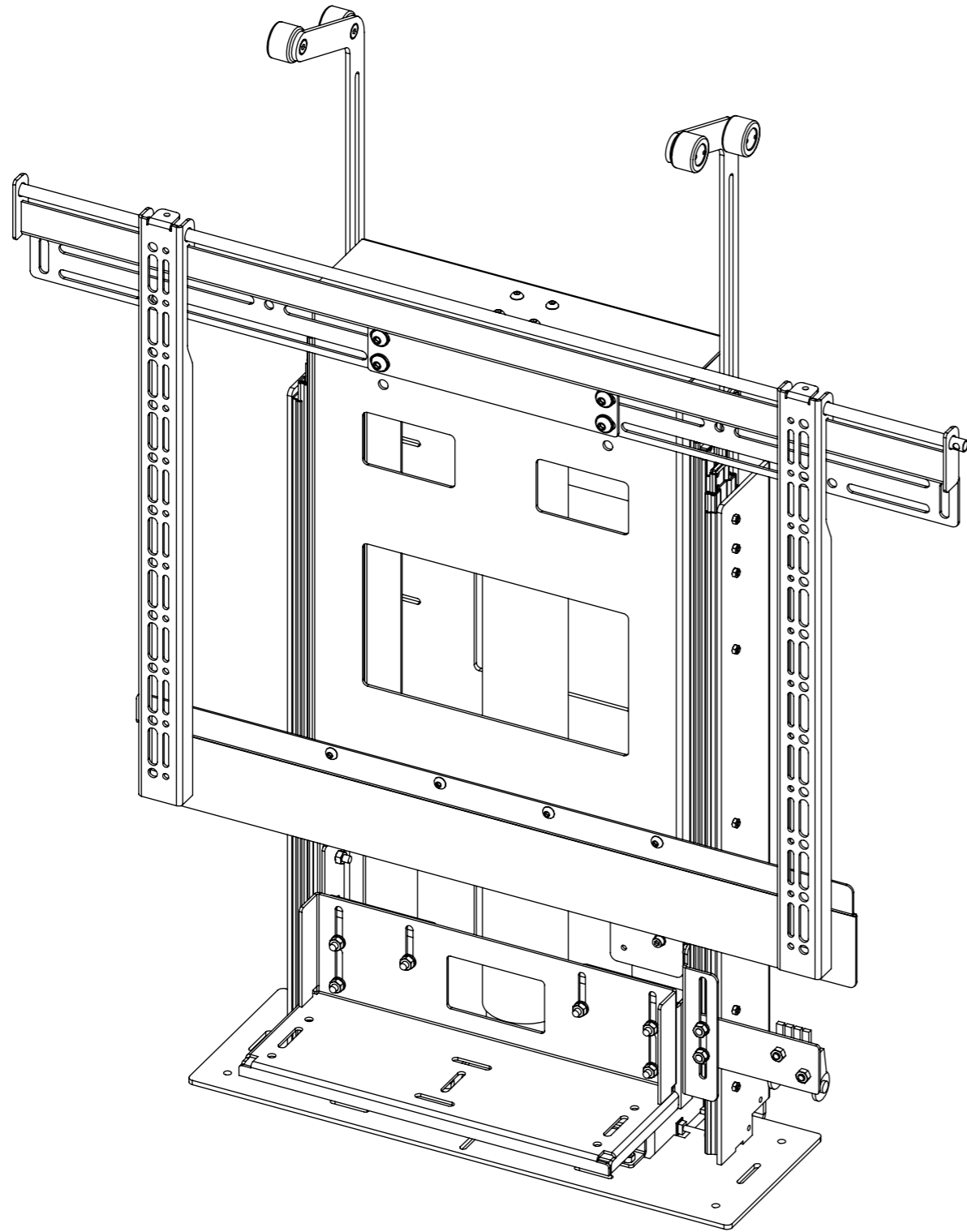


AL965 ACTUATOR LIFT



future automation



AL965

ACTUATOR LIFT

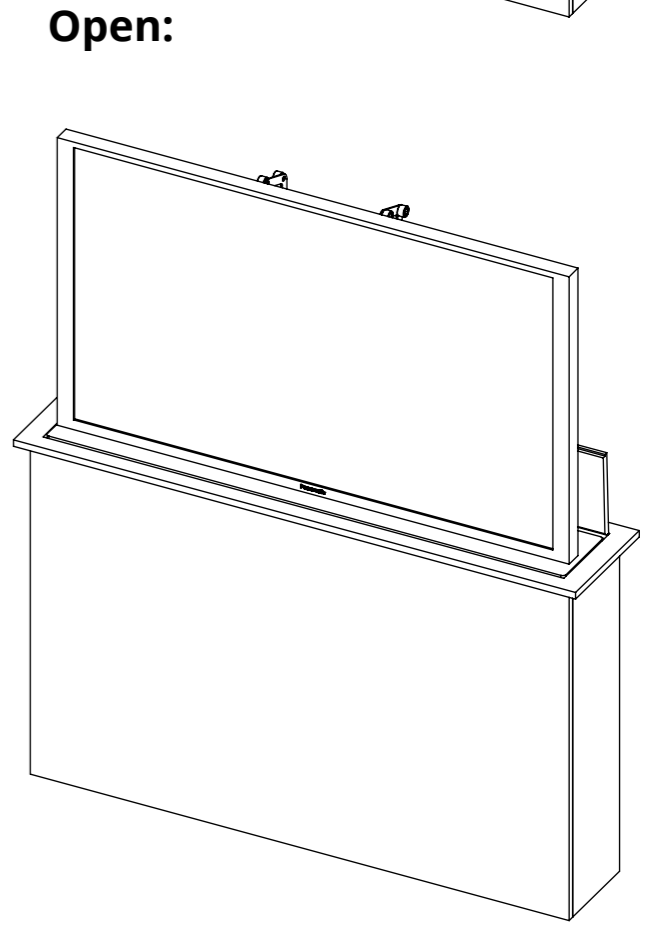
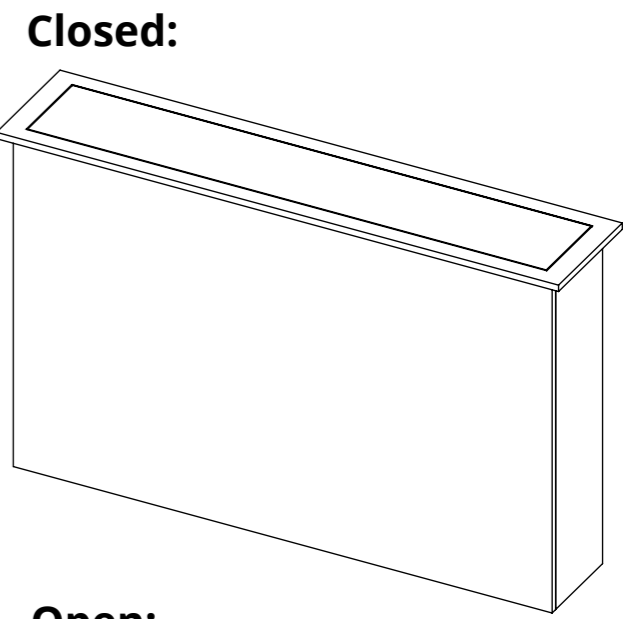
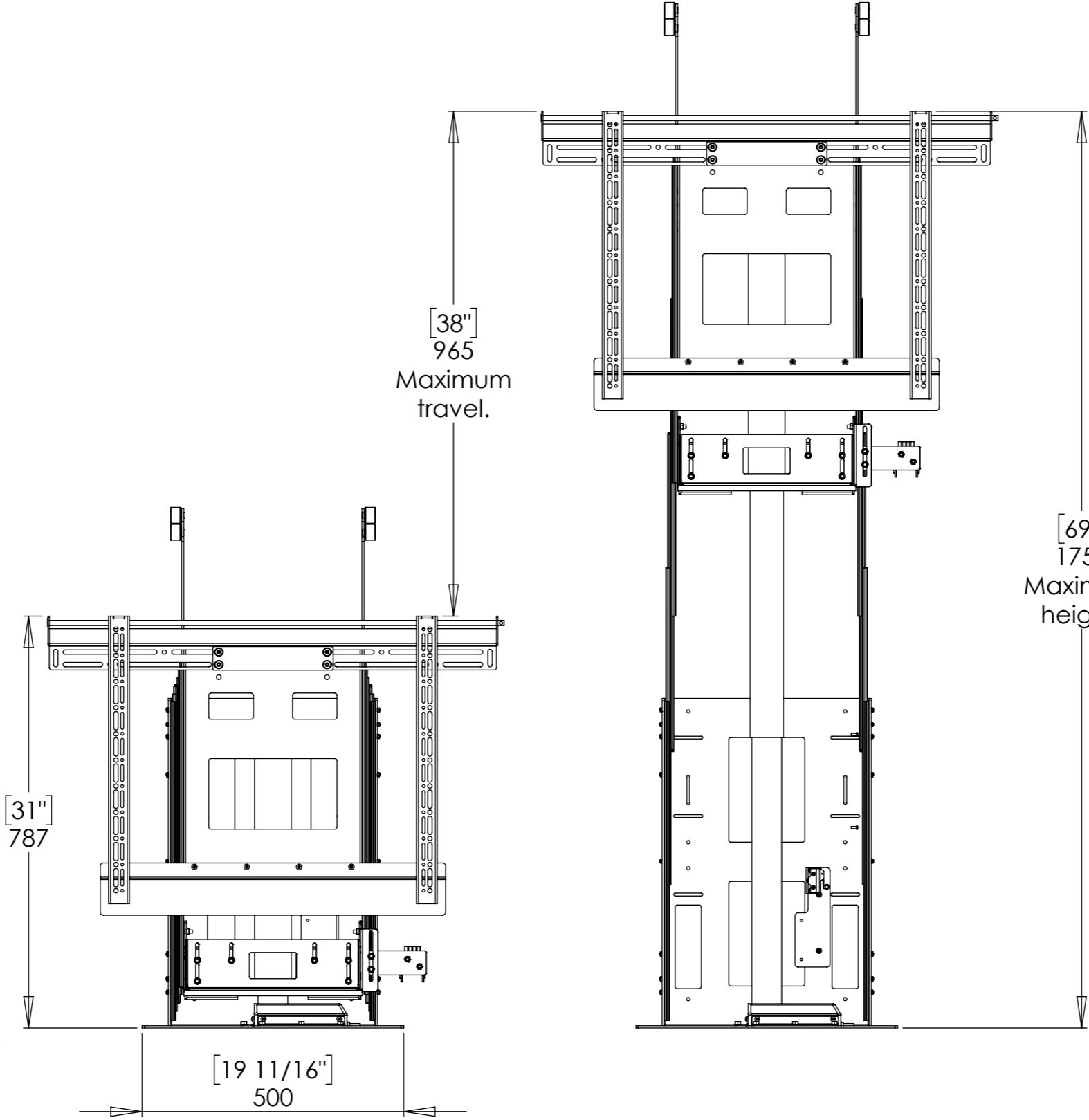
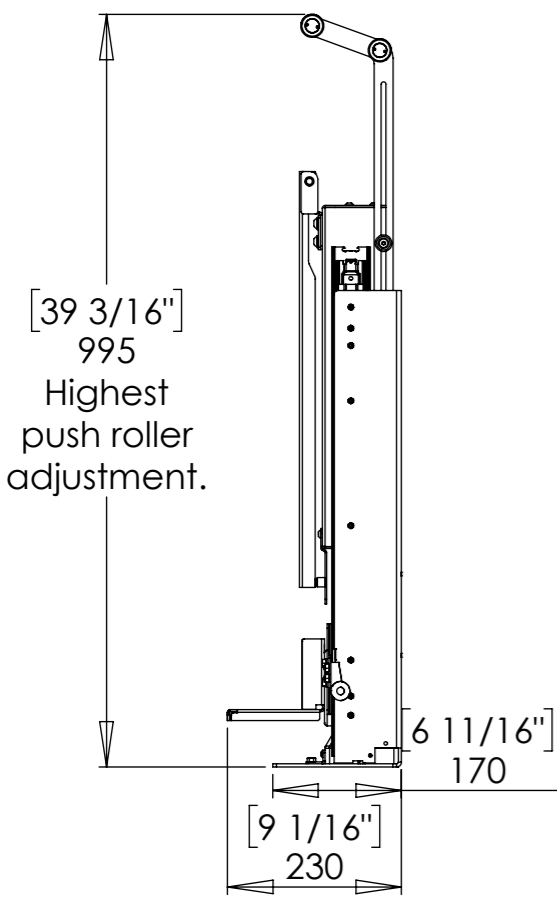
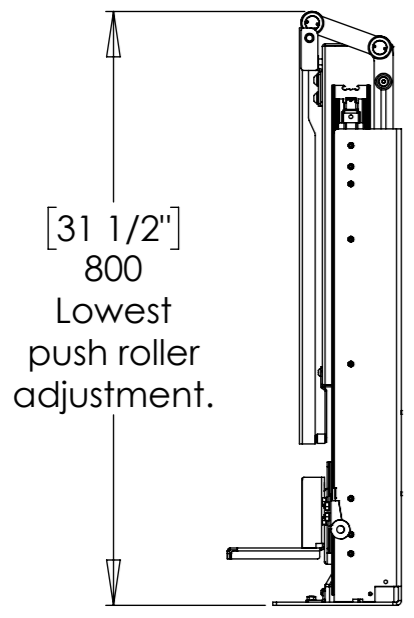


future automation

SPECIFICATION	MEASUREMENTS
Product Dimensions	500mm (19.7") x 743mm (29.3") x 230mm (9.0")
Maximum Weight Capacity	40Kg (88lb)
Screen Size (approx)	55-65" (approx)
Maximum Elevation	965mm (38")
Product Weight	35Kg (77lb)
Lid Types Available	Standard - Push Flap, Fixed Flap
Movement Type	Motorised
Packaging Dimensions	545 x 910 x 285mm (21.5 x 35.8 x 11.2")
Shipping Weight	40Kg (88lb)
Power Supply Required	110V - 240V AC
Power Consumption Max.	200W
Power Consumption Standby	3W
Mounting Patterns Supported	VESA 600, 500, 400, 300, 200 W x 400, 300, 200 H
Control Options	IR Remote, RS232, Contact Closure
Product Options / Features	Specific B&O and Loewe mounts / adapters, Custom RAL paint finishes
Package Contents	Mechanism, IR remote control
Marine Suitable	No

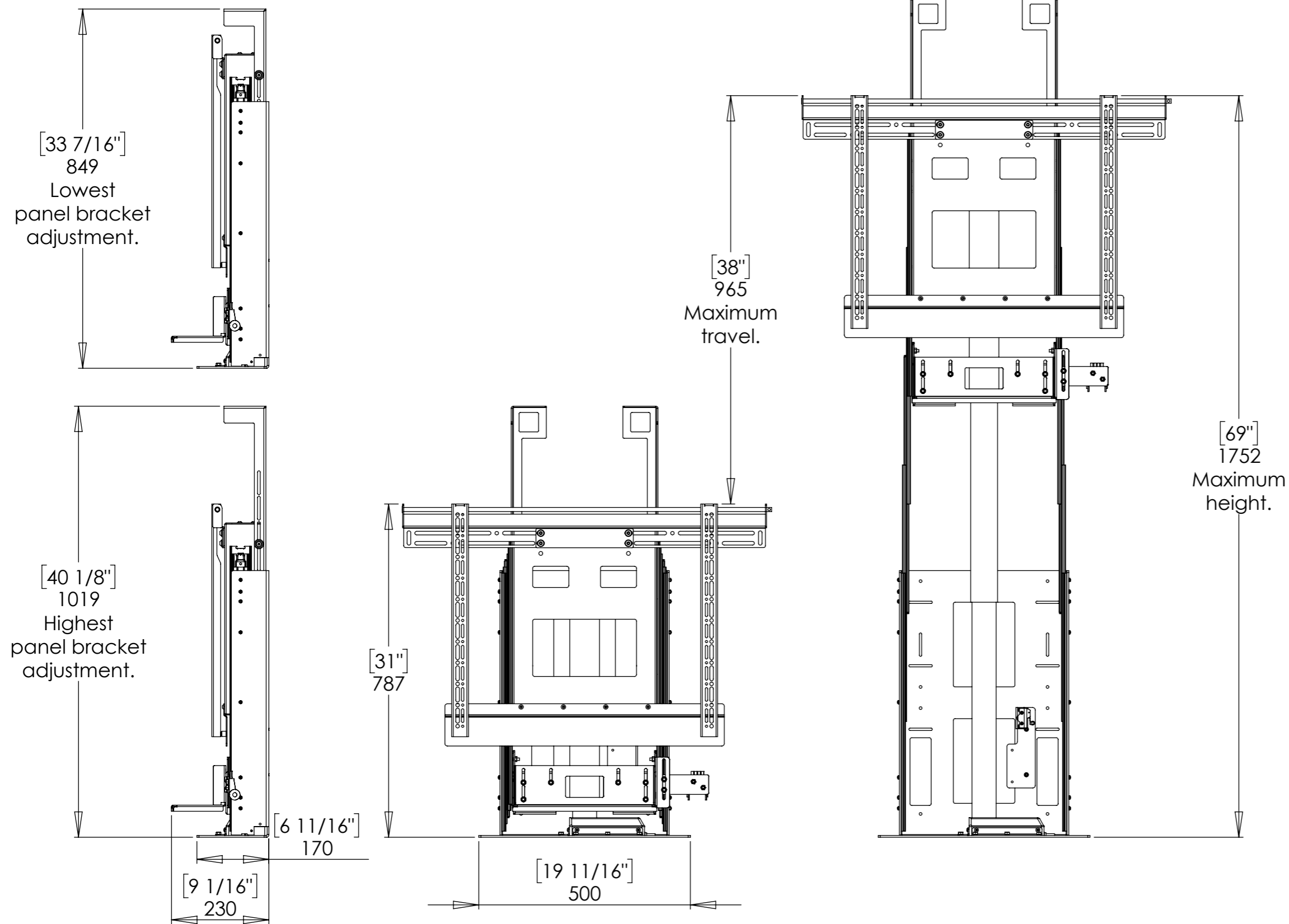
AL965 ACTUATOR LIFT

LIFT DIMENSIONS (HINGE FLAP)

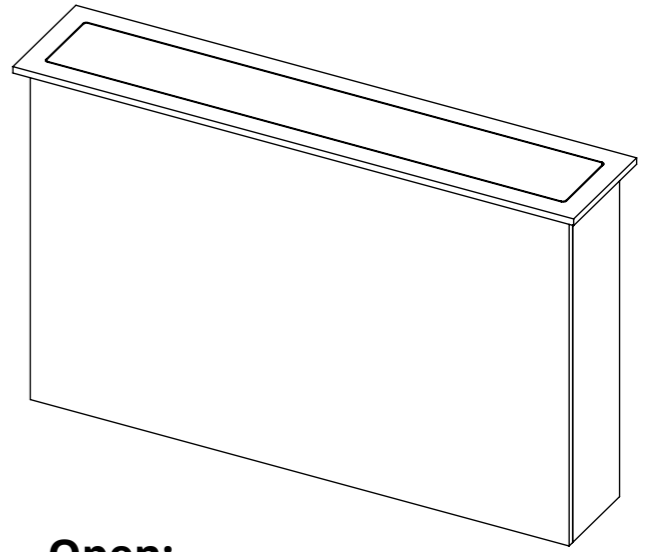


AL965 ACTUATOR LIFT

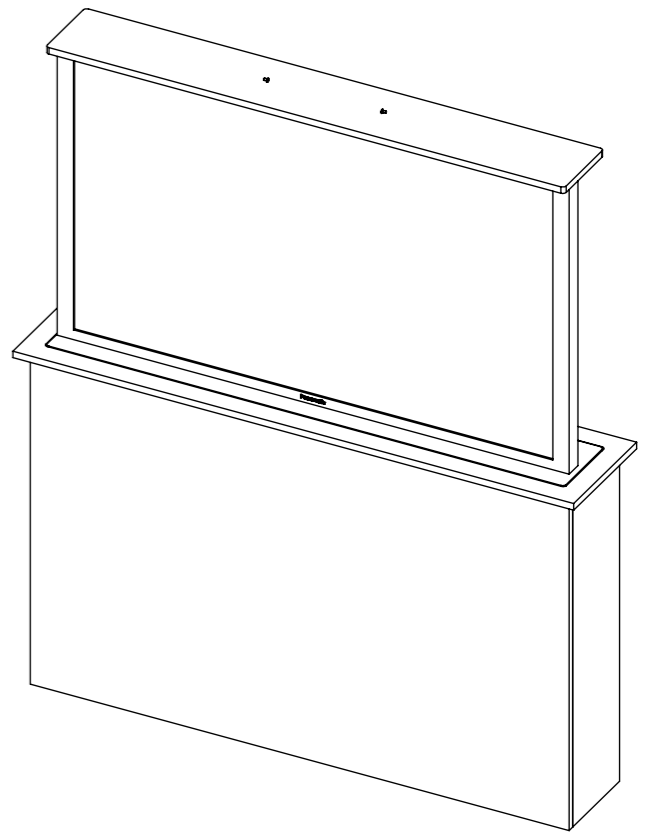
LIFT DIMENSIONS (FIXED PANEL)



Closed:



Open:



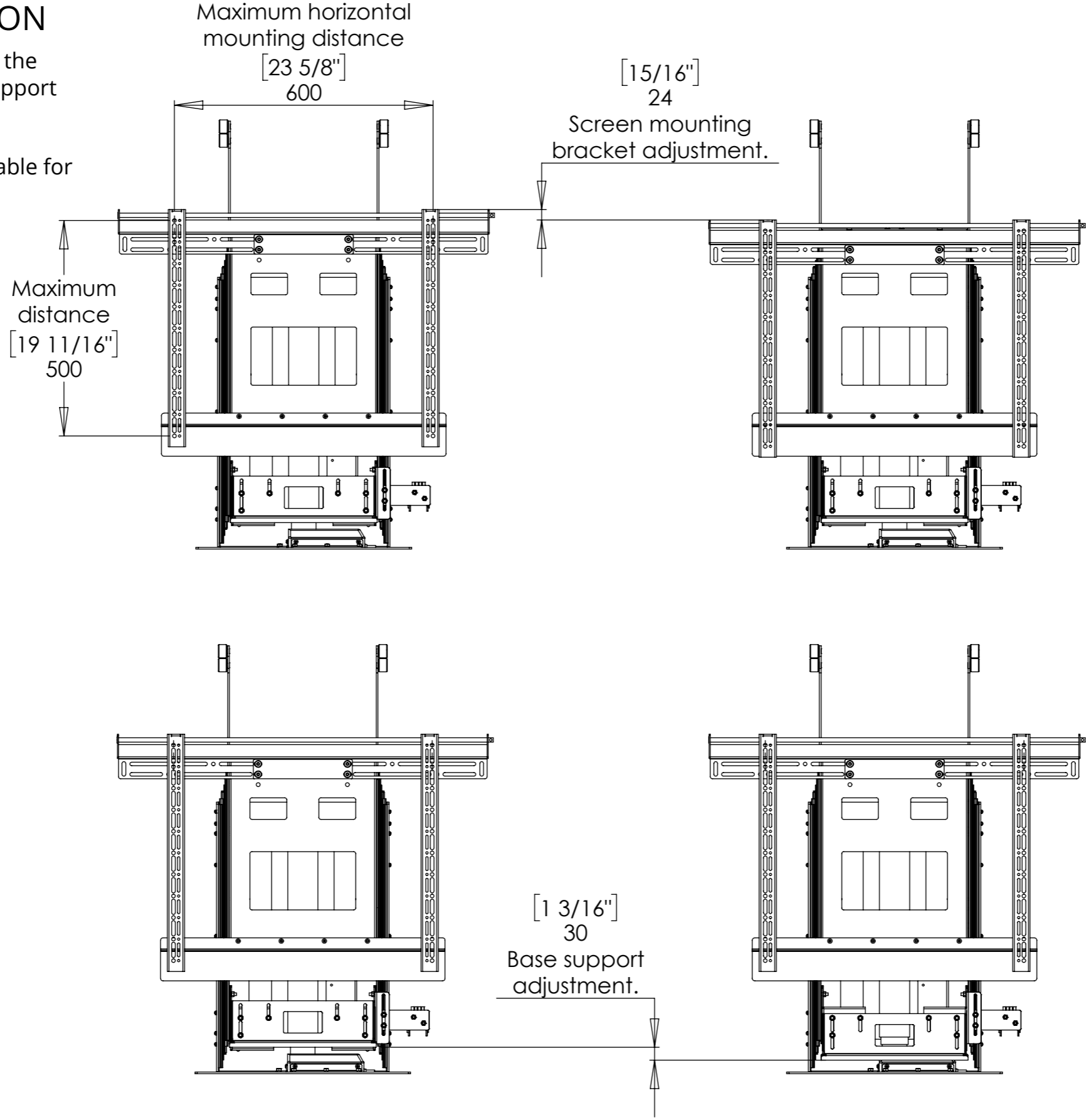
AL965 ACTUATOR LIFT



ADJUSTMENT INFORMATION

The AL965 has an adjustable mount for the screen, as well as an adjustable base support bracket.

Please note that this mechanism is suitable for screen sizes 55-65".

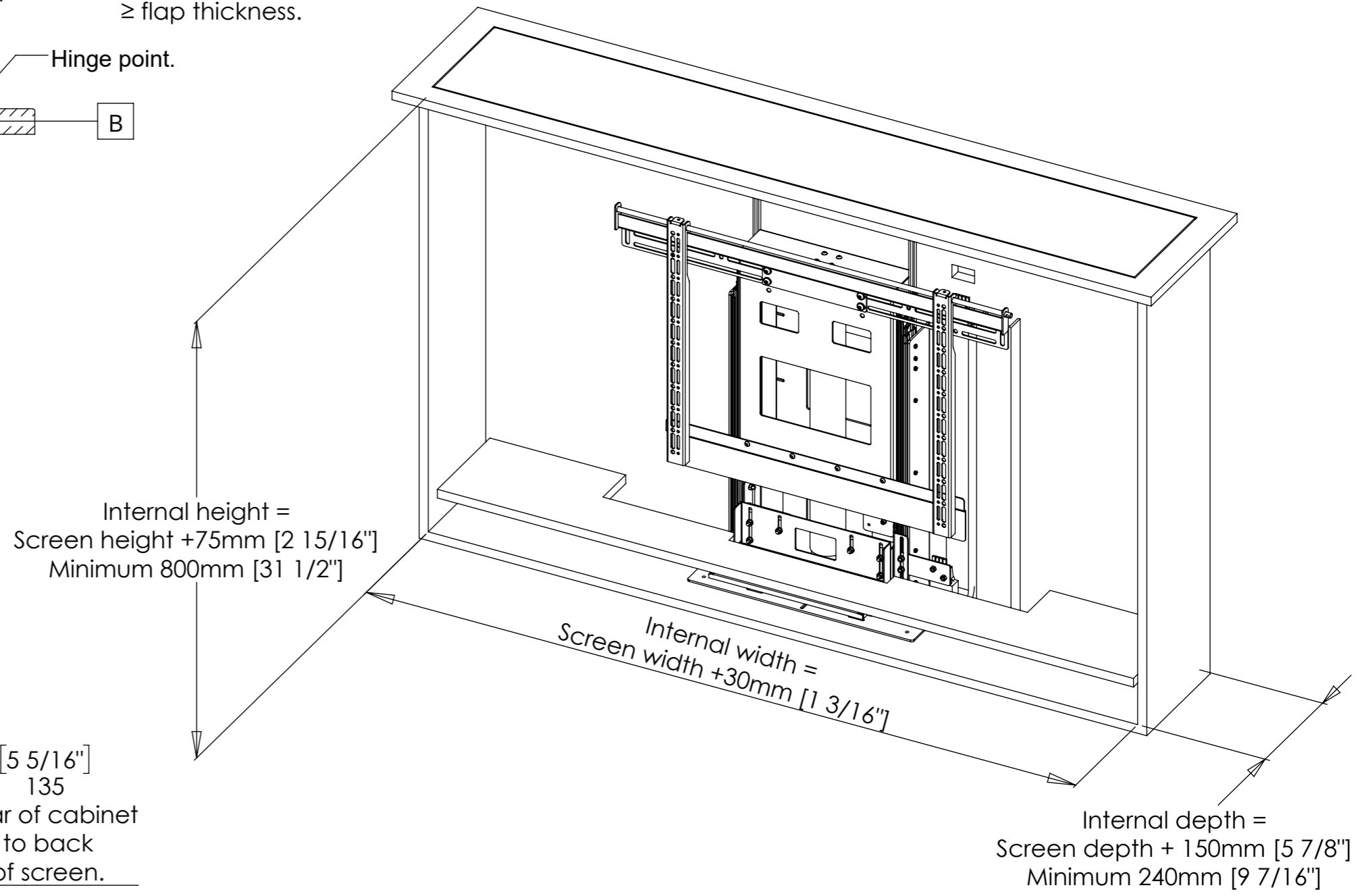
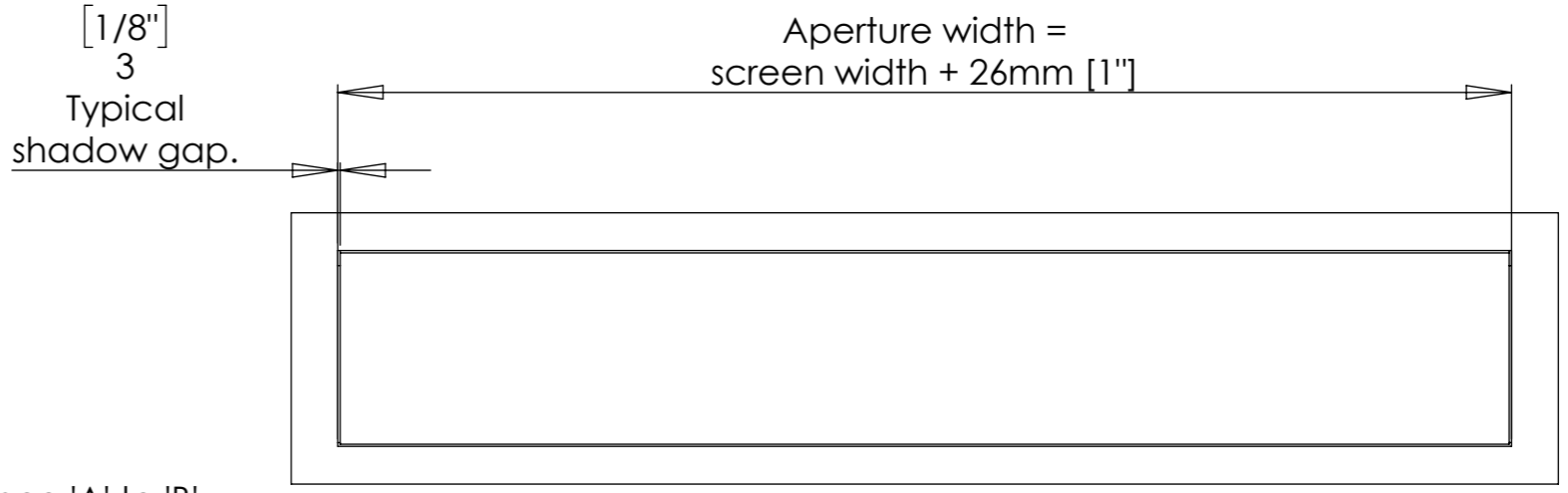
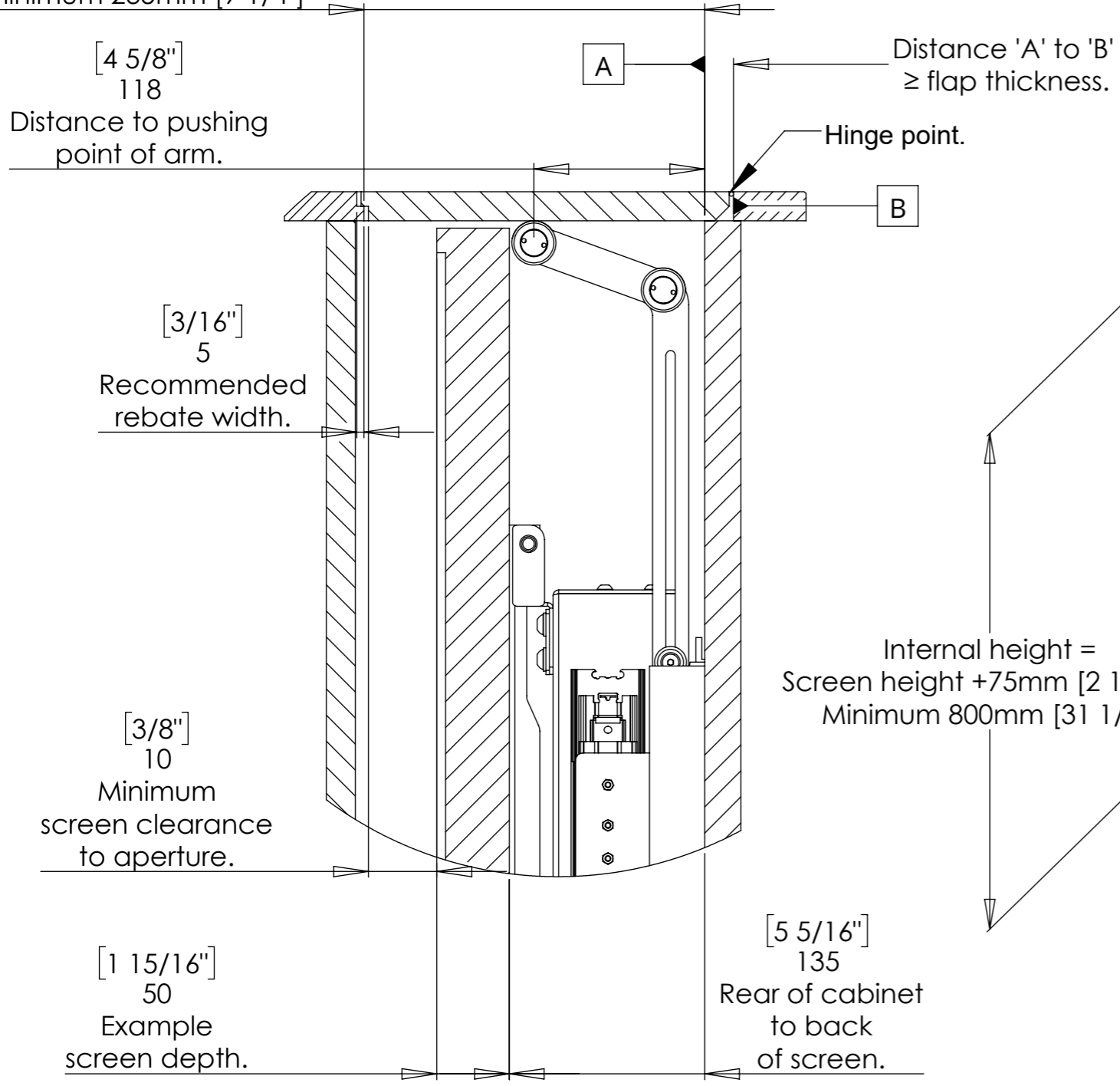


AL965 ACTUATOR LIFT

CABINET DIMENSIONS (HINGE FLAP)

Example shown for a screen of depth 50mm [2"].

Aperture depth =
Screen depth +
145mm [5 11/16"]
minimum 235mm [9 1/4"]



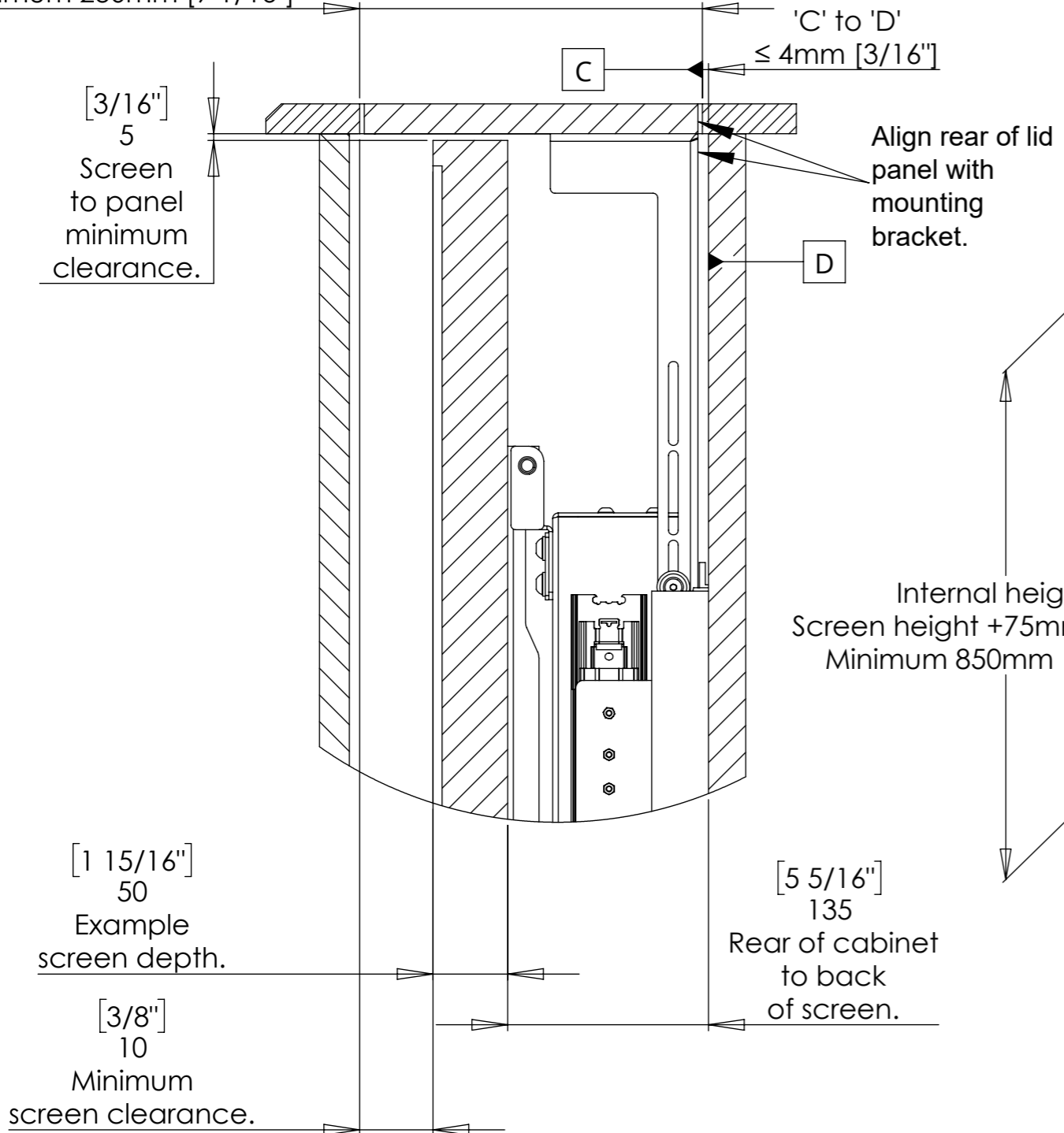
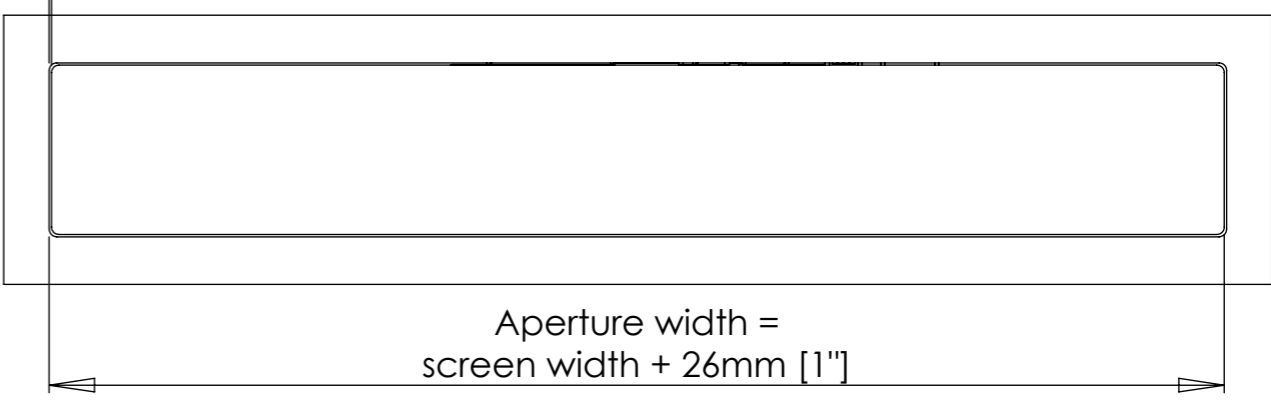
AL965 ACTUATOR LIFT

CABINET DIMENSIONS (FIXED PANEL)

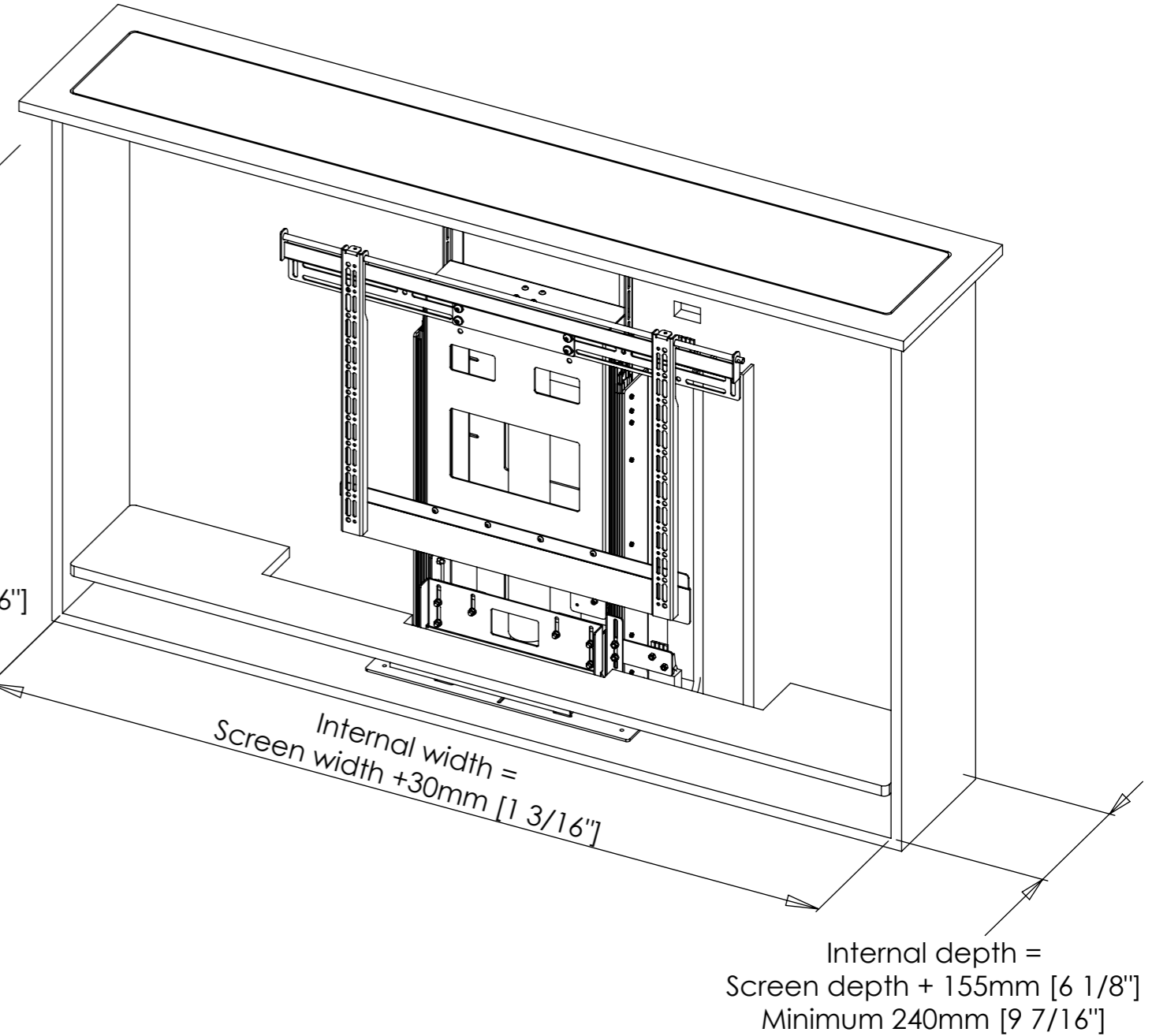
Example shown for a screen of depth 50mm [2"].

Aperture depth =
screen depth
+ 145mm [5 11/16"]
minimum 230mm [9 1/16"]

[1/8"]
3
Typical
shadow gap.



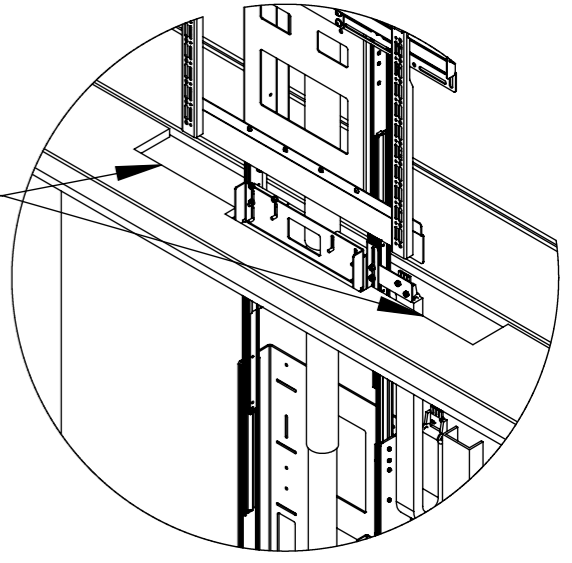
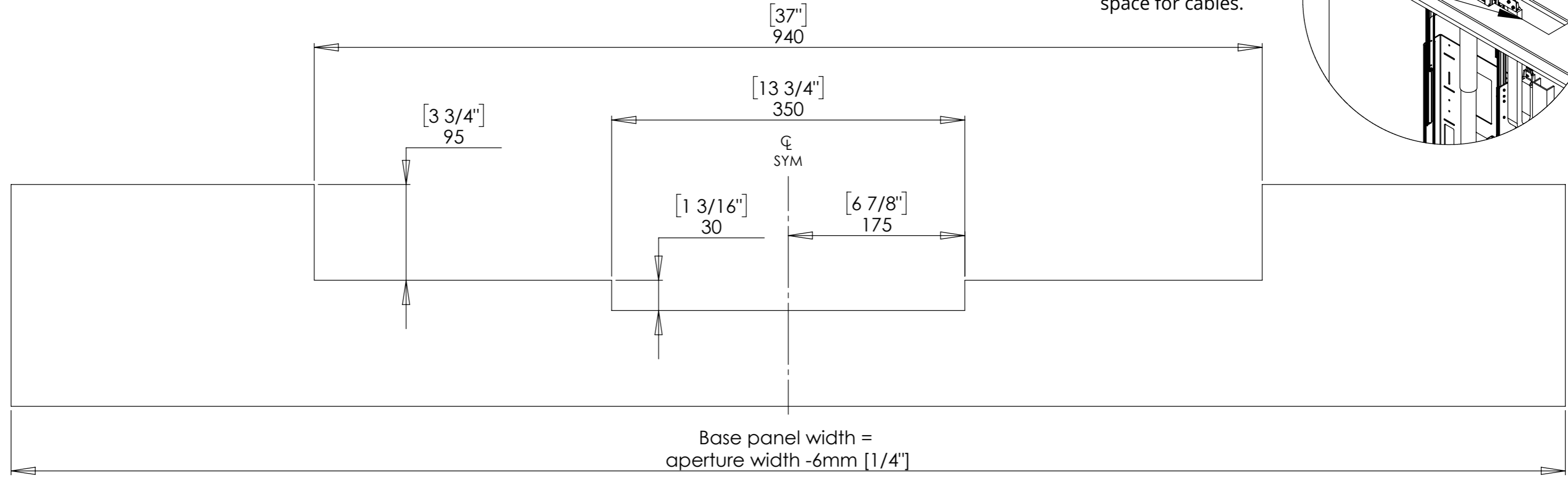
Internal height =
Screen height + 75mm [2 15/16"]
Minimum 850mm [33 7/16"]



AL965 ACTUATOR LIFT

BASE DIMENSIONS

Recommended base panel dimensions.



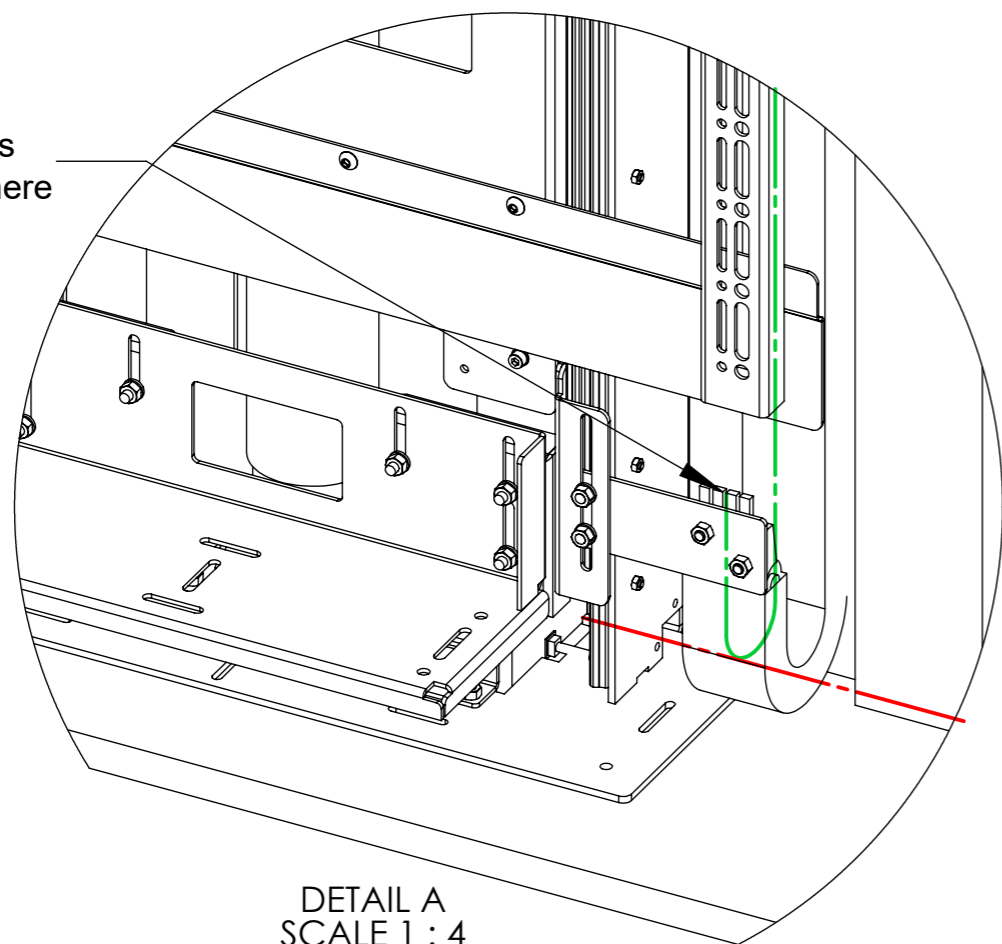
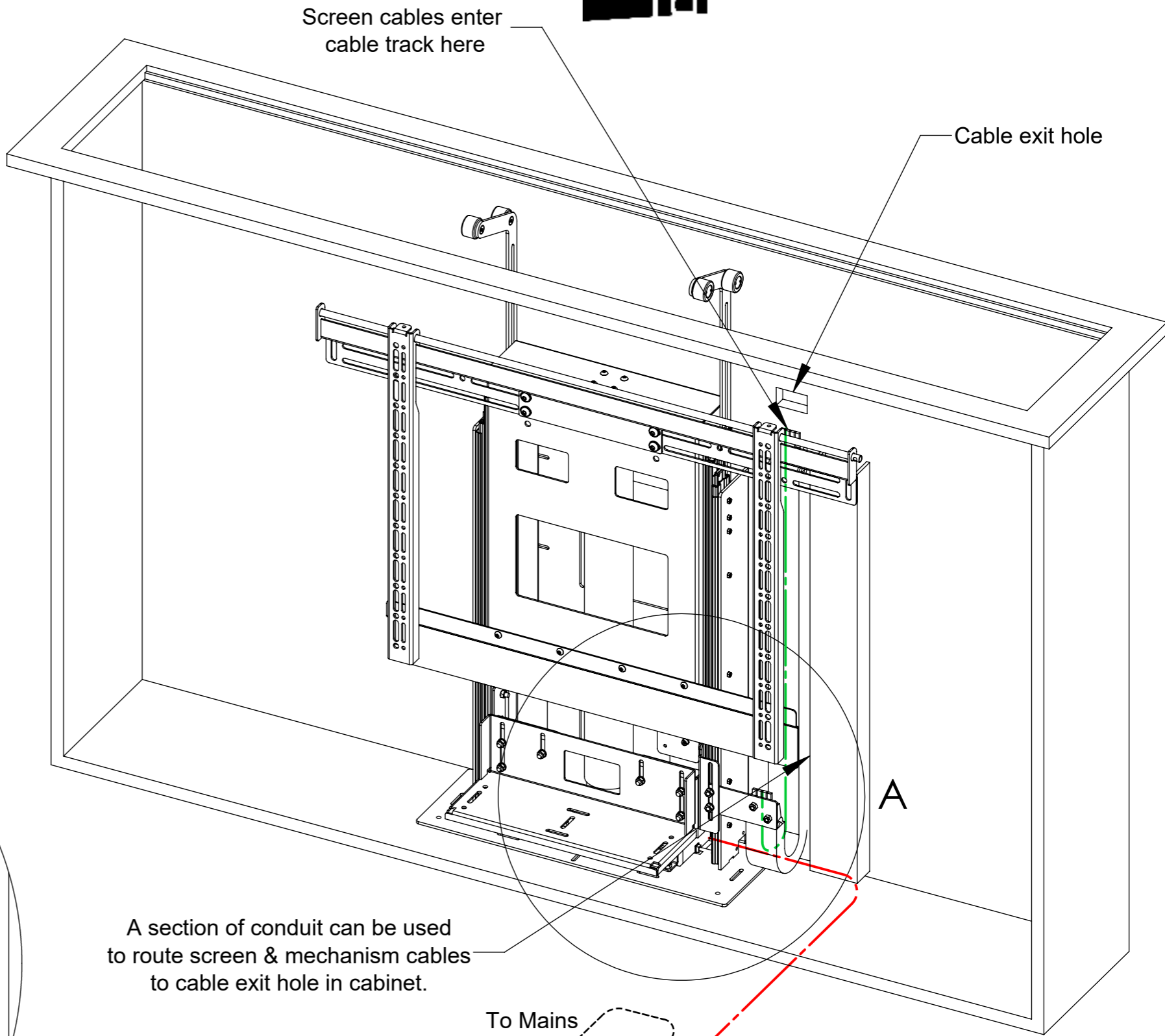
AL965 ACTUATOR LIFT

CABLE MANAGEMENT

The AL965's mounting allows for cables from the screen to be fed through the integrated cable management. This allows the cables to be stowed tidily within the mechanism.

The mechanism cable should be routed to the provided control box through a hole in the cabinet or a conduit leading to the bottom of the cabinet. The control box should be stored in an easily accessible location.

- Mechanism Cables: - - - - -
- Screen Cables: - - - - -
- Mains Power Cables: - - - - -



A section of conduit can be used to route screen & mechanism cables to cable exit hole in cabinet.

