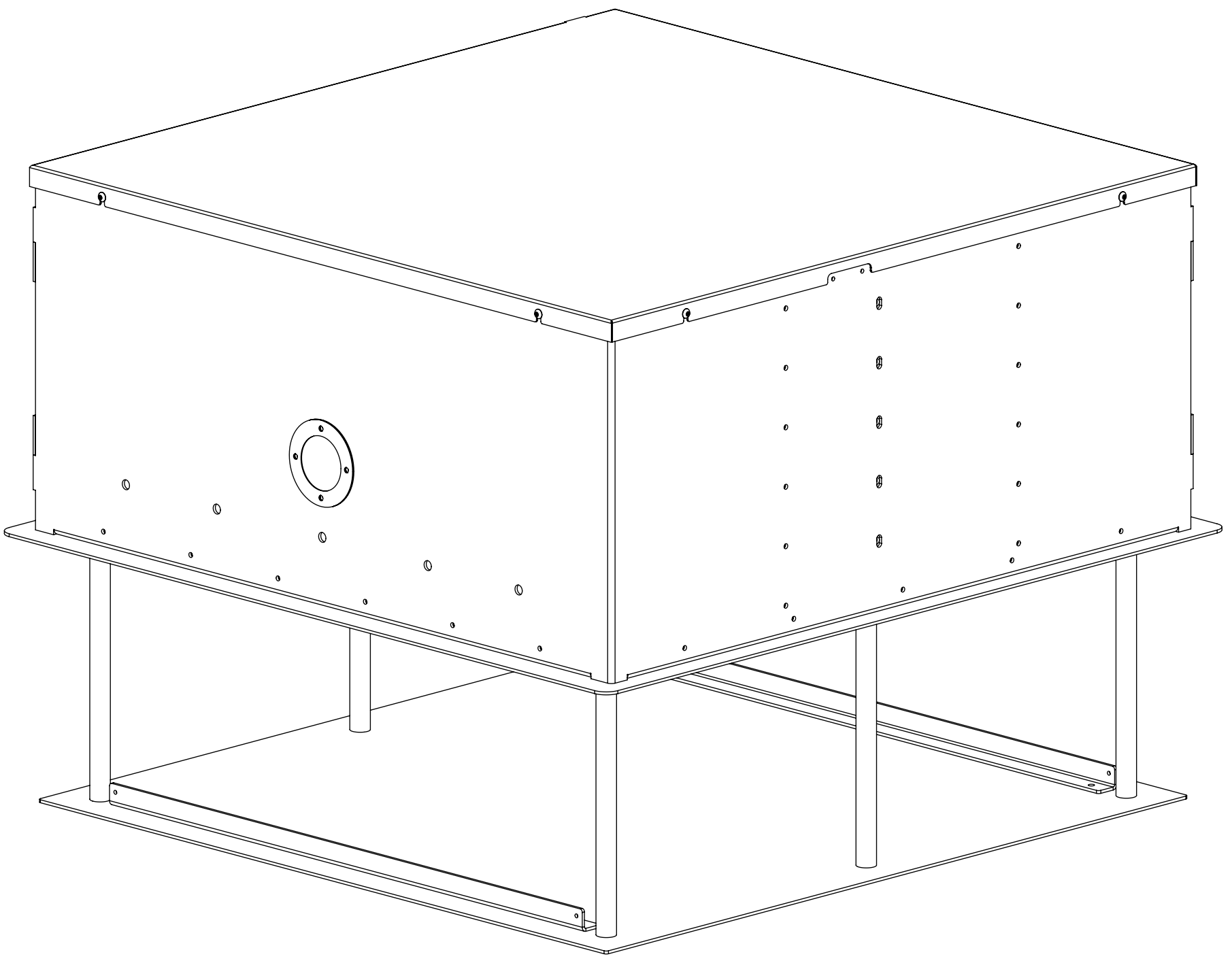


PDM03



future automation

PROJECTOR DROP MARINE OUTDOOR MECHANISM



PROJECTOR DROP MARINE OUTDOOR MECHANISM

SPECIFICATION	MEASUREMENTS
Product Dimensions (LxWxH)	856mm (33.7") x 837mm (32.95") x 367mm (14.47")
Maximum Projector Size (LxWxH)	695mm (27.36") x 676mm (26.61") x 237mm (9.3")
Maximum Weight Capacity	30Kg (66lb)
Maximum Speed	26mm/s
Travel From Ceiling	271mm (10.67")
Depth Within Ceiling	367mm (14.47")
Product Weight	37kg(82lb)
Packaging Dimensions	TBC
Shipping Weight	TBC
Movement Type	Motorised
Power Supply Required	110V - 240V AC
Power Consumption Max.	110W
Power Consumption Standby	3W
Control Options	IR Remote, RS232, Contact Closure
Product Options / Features	Specific Projector mounts / adapters, Custom RAL paint finishes, Marine suitable version, Custom size Varients
Package Contents	Mechanism, IR remote control
Marine Suitable	Yes
Outdoor Suitable	Yes

PROJECTOR DROP MARINE OUTDOOR MECHANISM

DESIGN FEATURES

Quick and simple mechanism installation.

Full cable management keeps power and signal cables neat and tidy.

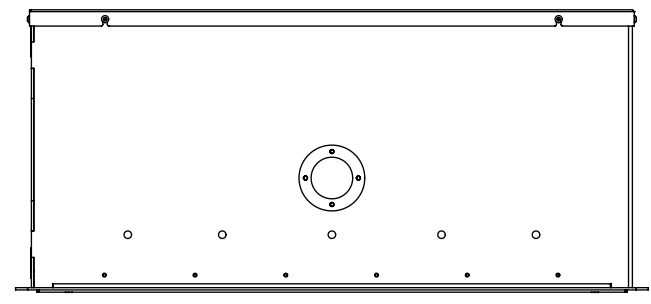
Water resistant design ideal for outdoor marine applications.

Slotted mounting system provides easily adjustable installation for almost any projector.

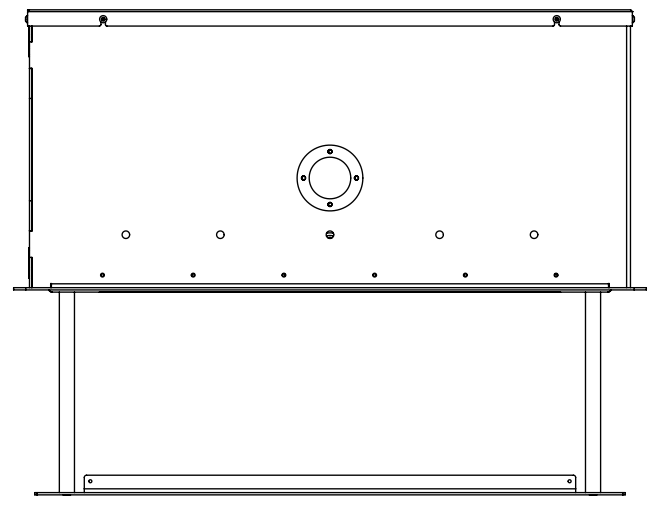
Air conditioning duct at the front and the back. Supplied with blanking disc and flange clamp.

IP56 rated control box can also control a third party product such as a projector screen.

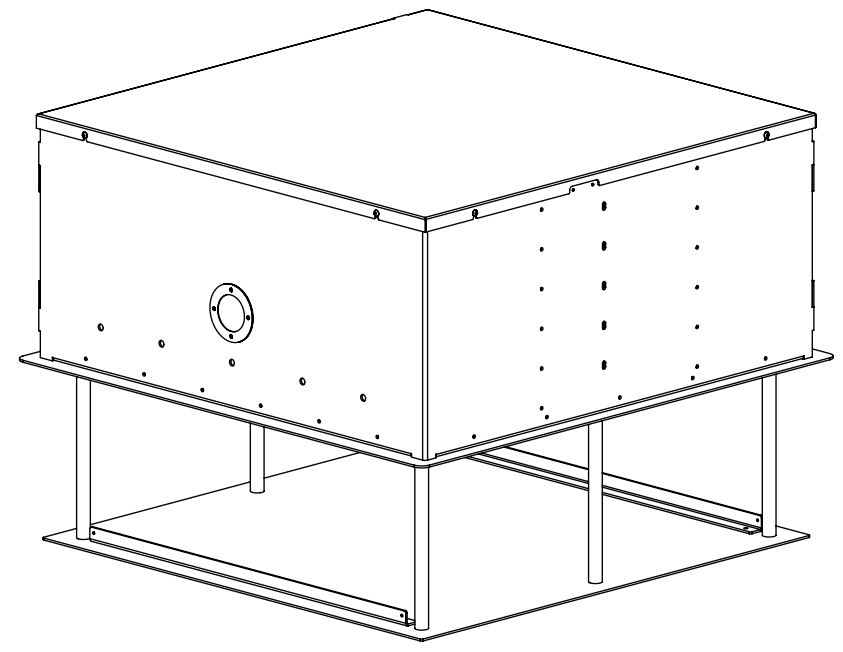
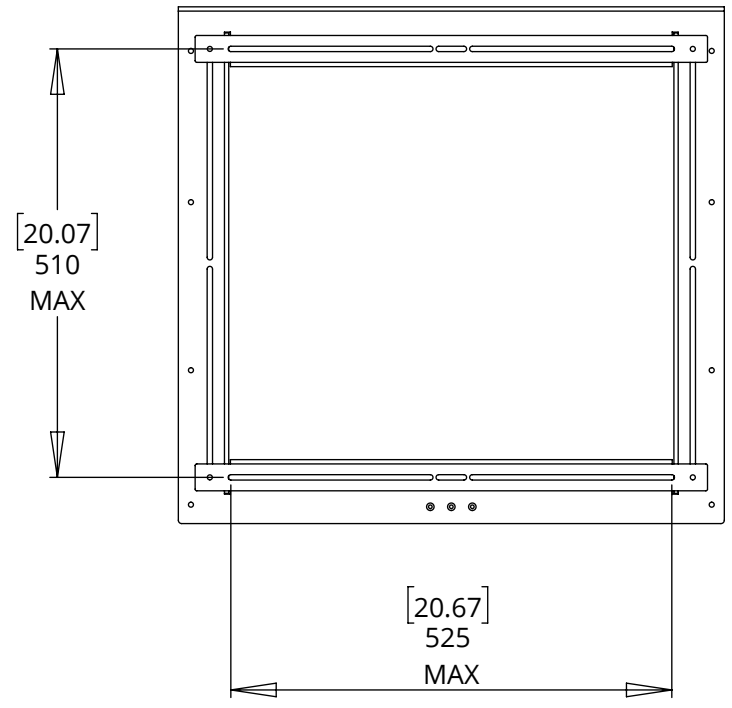
MECHANISM UP IN



MECHANISM DOWN OUT



PROJECTOR MOUNT FRAME

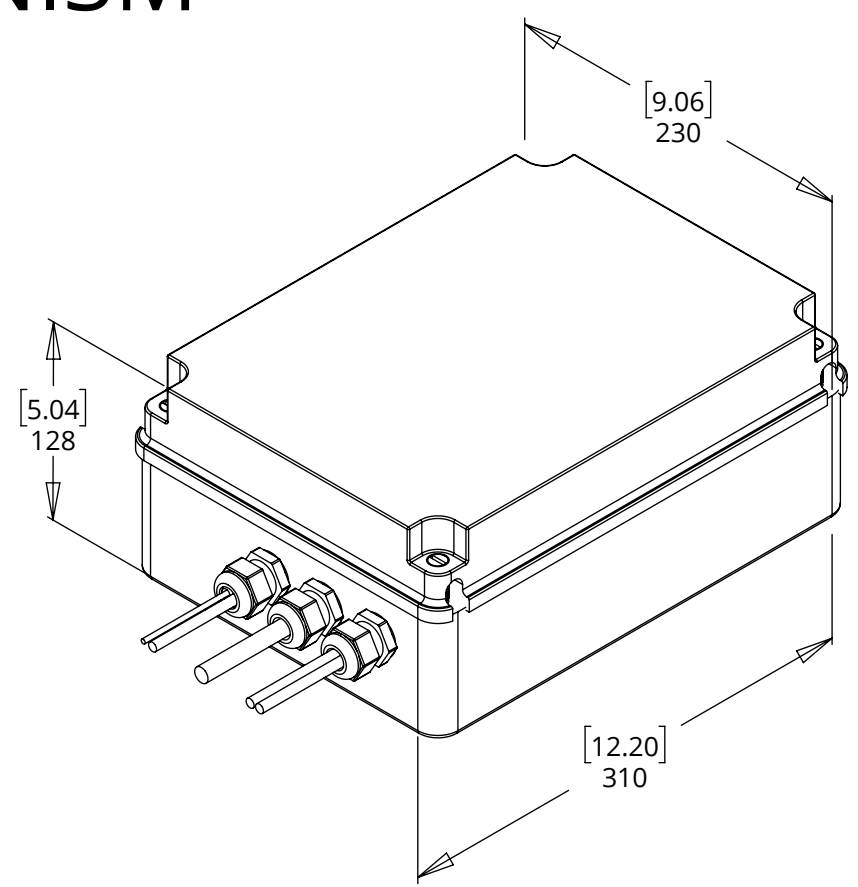
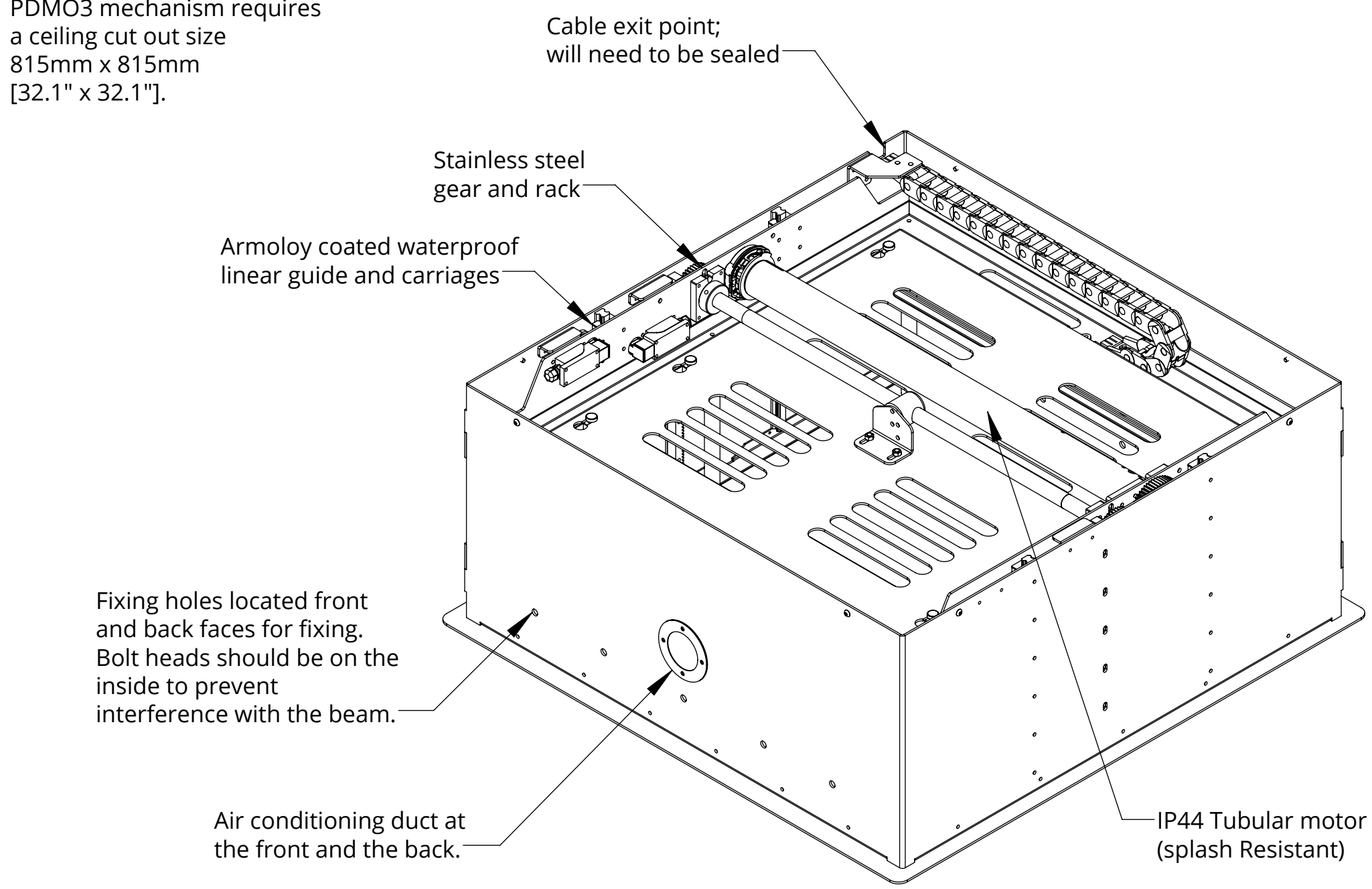


PROJECTOR DROP MARINE OUTDOOR MECHANISM

CEILING DETAILS

The projector drop mechanism is inserted like a ceiling speaker. A lip around the underside of the mechanism neatly covers the cut edge of the ceiling.

PDMO3 mechanism requires a ceiling cut out size 815mm x 815mm [32.1" x 32.1"].



CONTROL BOX

The size of the mechanism control box is shown above. This must be located in an easily accessible location.

In the cases where the mechanism cables need to be extended, a four core mains cable and a three core low voltage cable need to be run from the mechanism to the control box.

The control box can also be used to control an electric projector screen (standard four core mains type).

PROJECTOR DROP MARINE OUTDOOR MECHANISM

GENERAL DIMENSIONS

