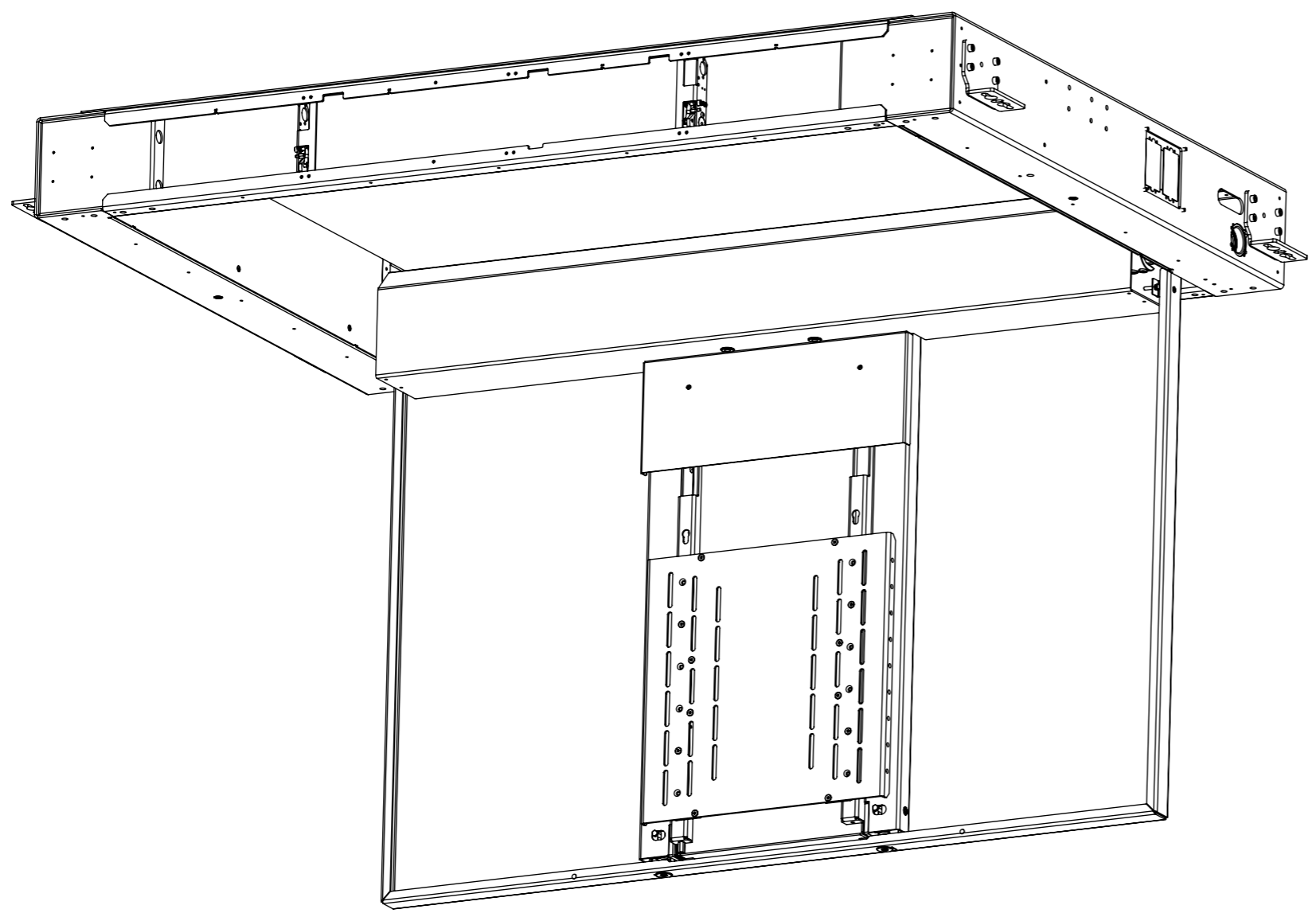
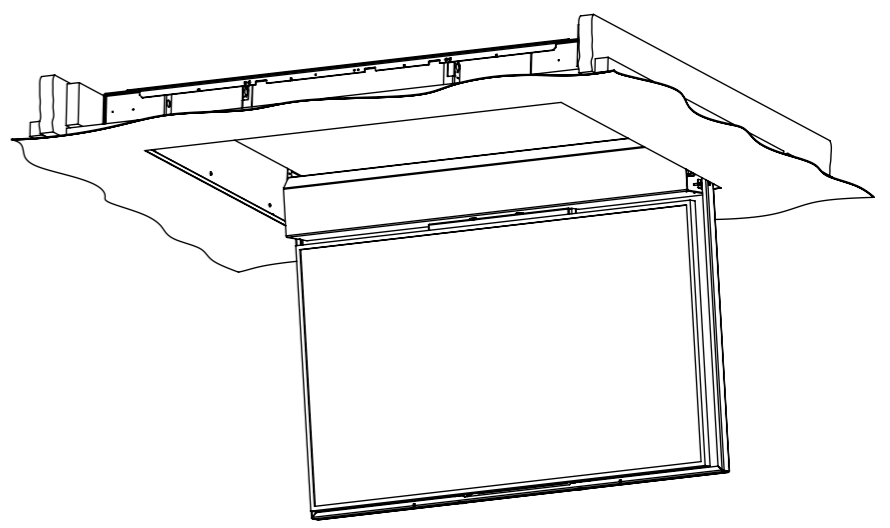
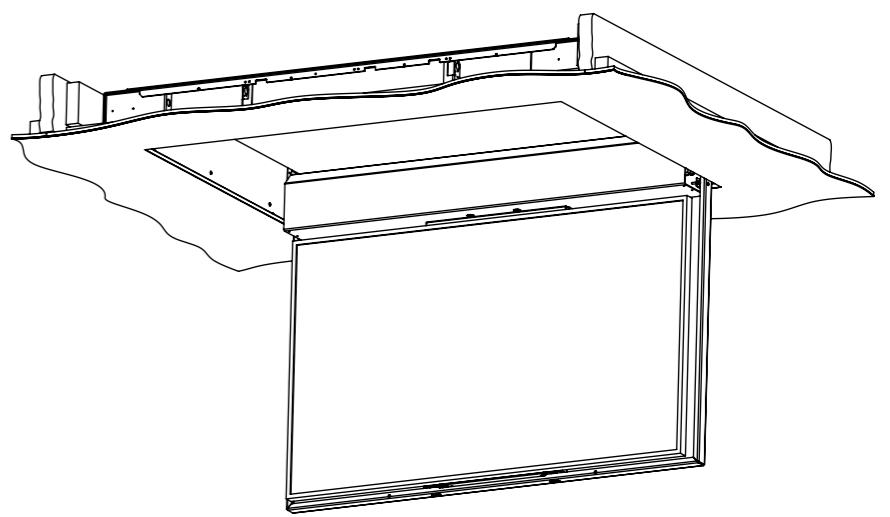
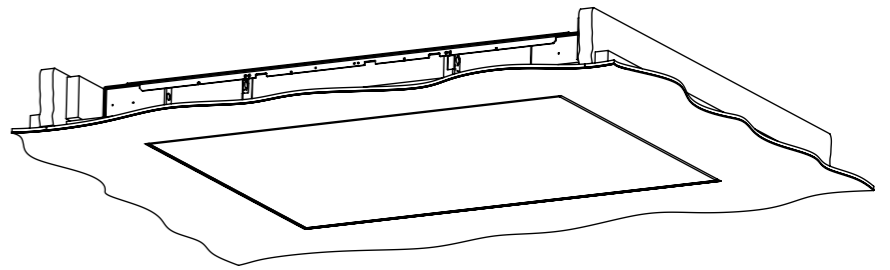


CHR6-RES

RESIDENTIAL CEILING HINGE RANGE



MECHANISM AS SUPPLIED



CHR6-RES

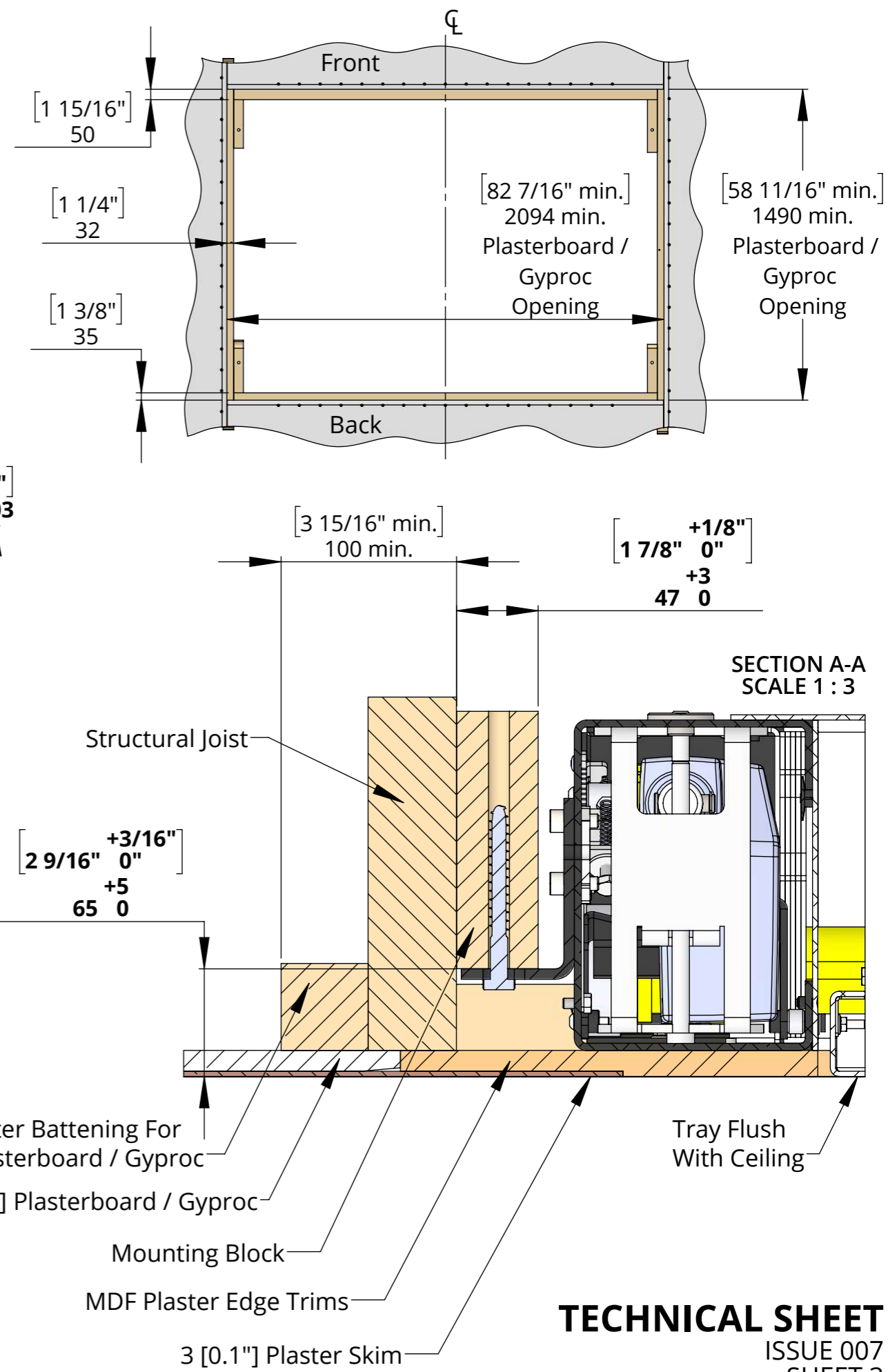
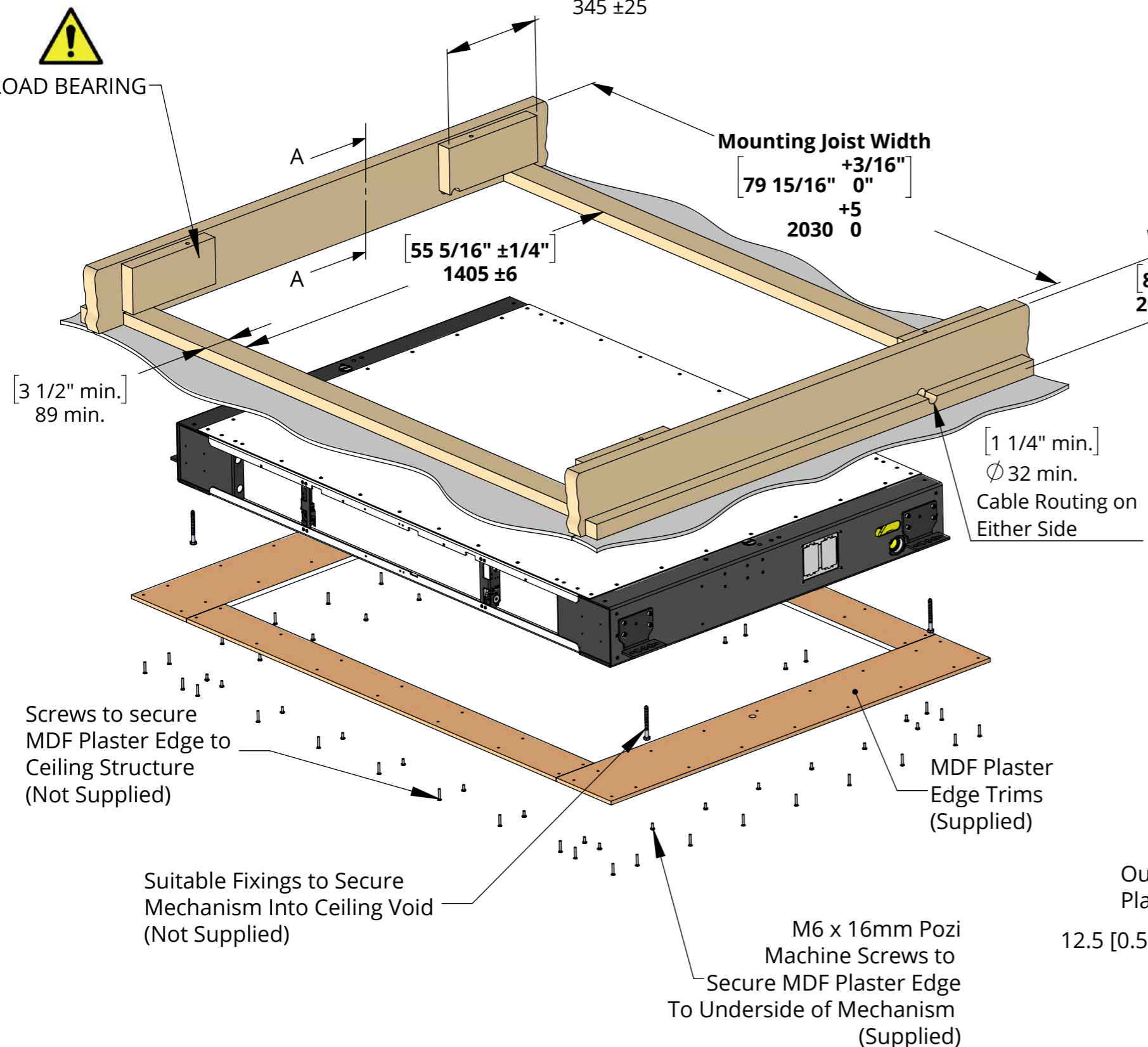
RESIDENTIAL CEILING HINGE RANGE



SPECIFICATION	MEASUREMENTS
Product Dimensions	2024mm [79 11/16"] W x 1305mm [51 6/16"] L x 210mm [8 4/16"] D
Product Weight	145Kg [320lb]
Maximum Screen Size	1530mm [60 4/16"] W x 920mm [36 4/16"] L x 100mm [3 15/16"] D
Maximum Weight Capacity	85Kg [187lb] Max. <i>*Assuming Screen Weight Biased Low (3/4 Screen Height)</i>
Packaging Dimensions	2060mm [81 2/16"] W x 1480mm [58 4/16"] L x 440mm [17 5/16"] D
Shipping Weight	268Kg [591lb]
Maximum Rotation	100° - programmable limit to 90°
Movement Type	Motorised
Control System	Housed Internally - Accessible by Internal Access Hatch
Power Supply Required	110V - 240V AC 50/60Hz
Power Consumption Max.	720W
Power Consumption Standby	3W
Mounting Patterns Supported	VESA 400, 300, 200 W x 400, 300, 200 H
Control Options	IR Remote, RS232, Contact Closure
Product Options / Features	Specific B&O and Loewe mounts / adapters, Custom RAL paint finishes, Marine suitable version
Package Contents	Mechanism, IR remote control
Environment	Residential / Commercial
Colour	WHITE - RAL9910 Satin Finish
Marine Suitable	No - Marine Indoor and Outdoor Versions Available

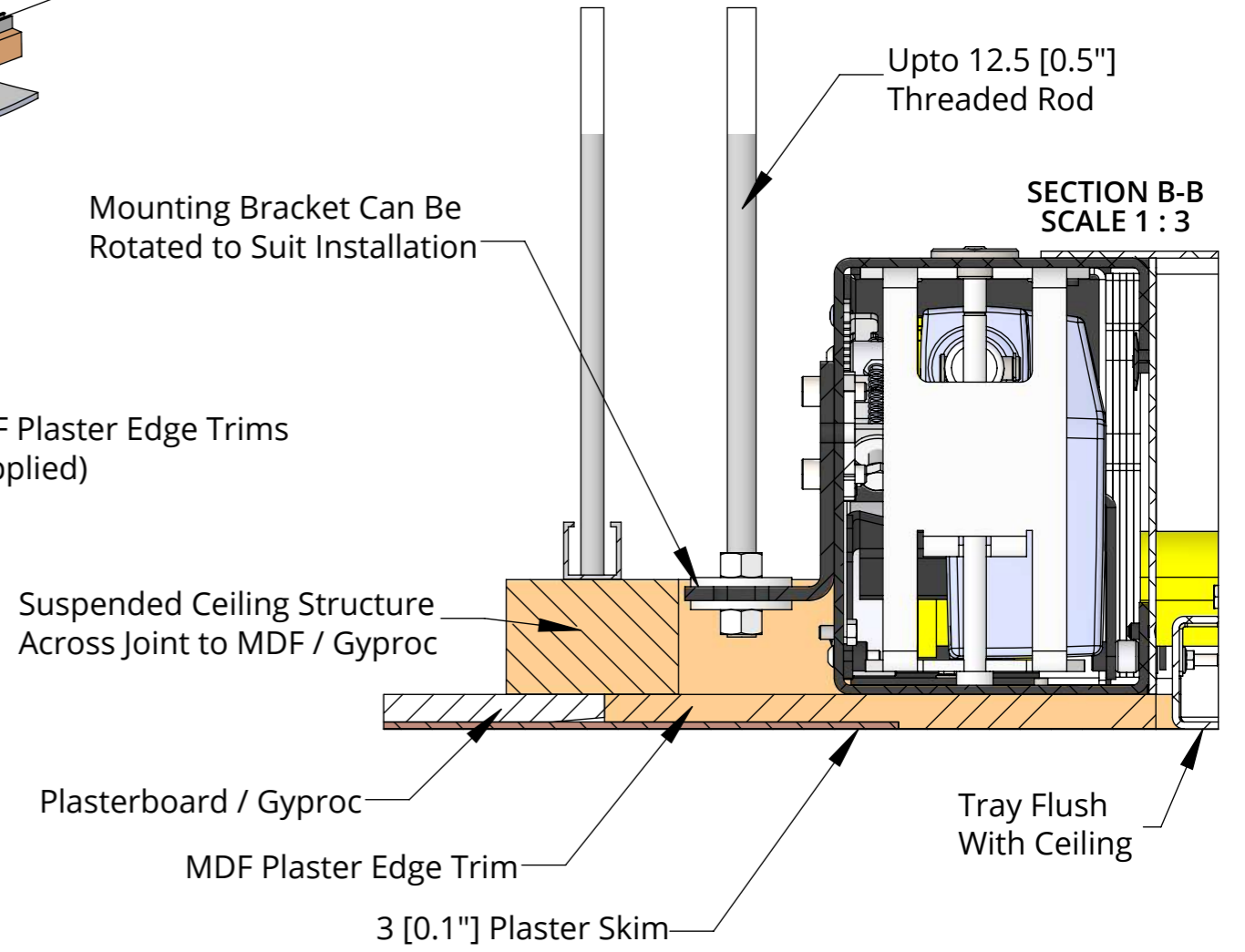
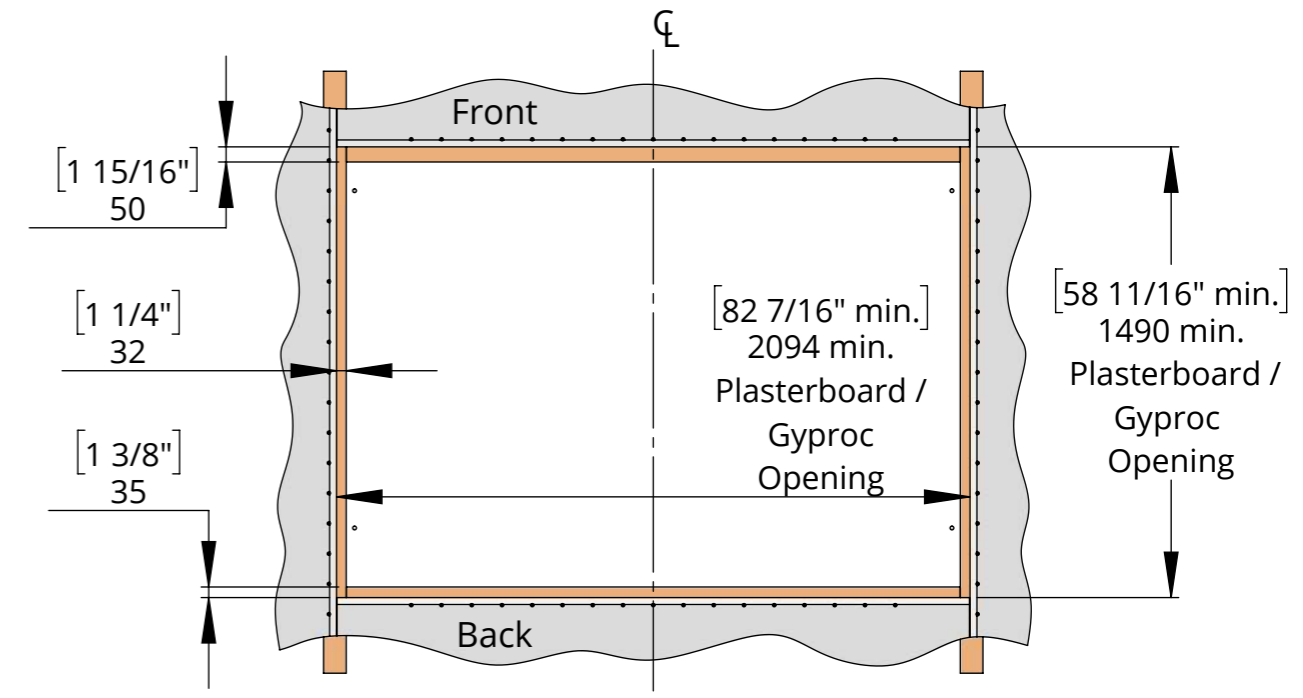
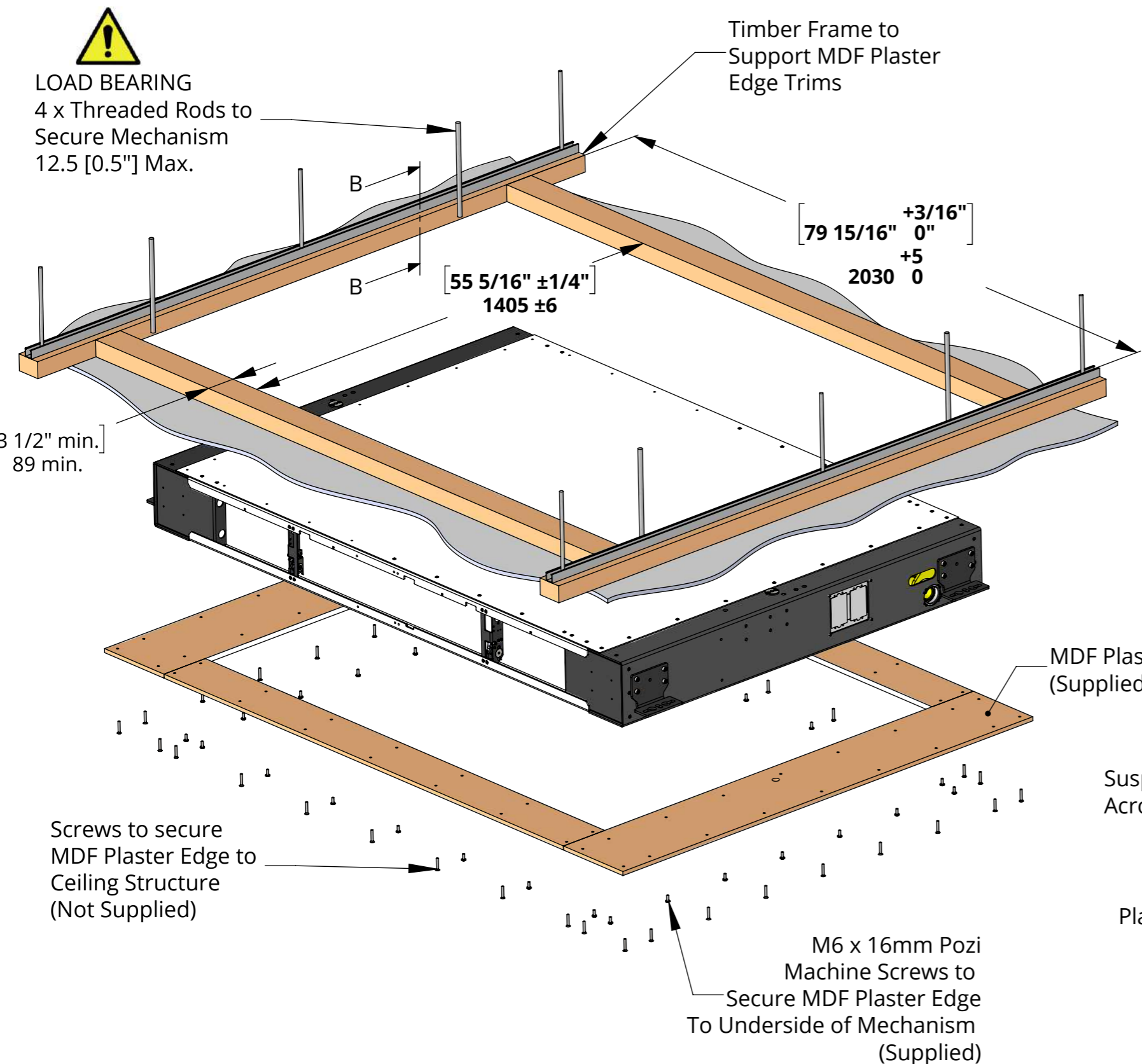
CHR6-RES RESIDENTIAL CEILING HINGE RANGE

OPTION 1 - FIXING TO WOODEN BEAMS



CHR6-RES RESIDENTIAL CEILING HINGE RANGE

OPTION 2 - FIXING INTO SUSPENDED CEILING



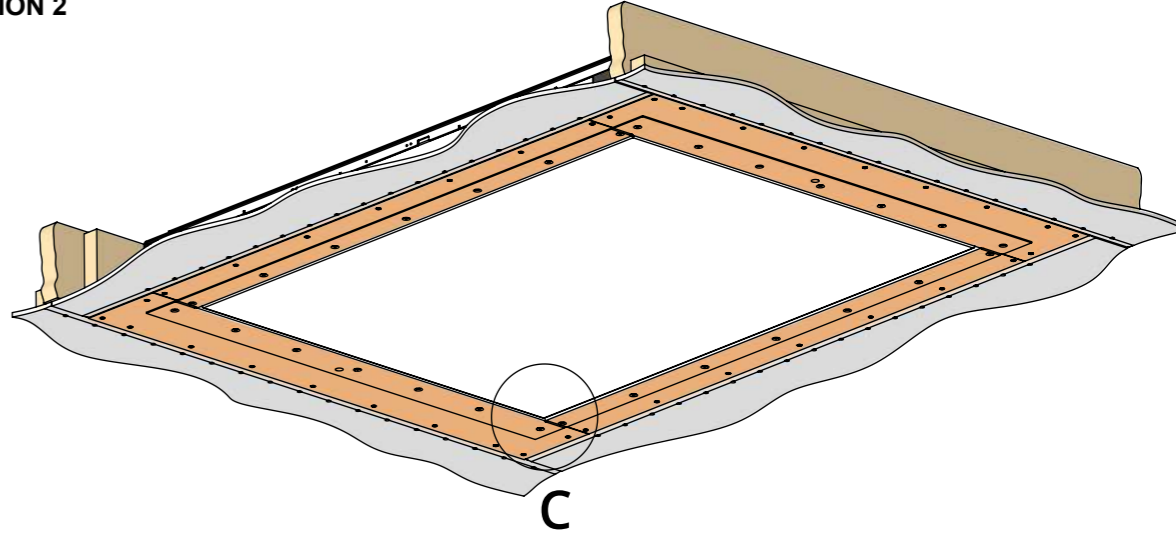
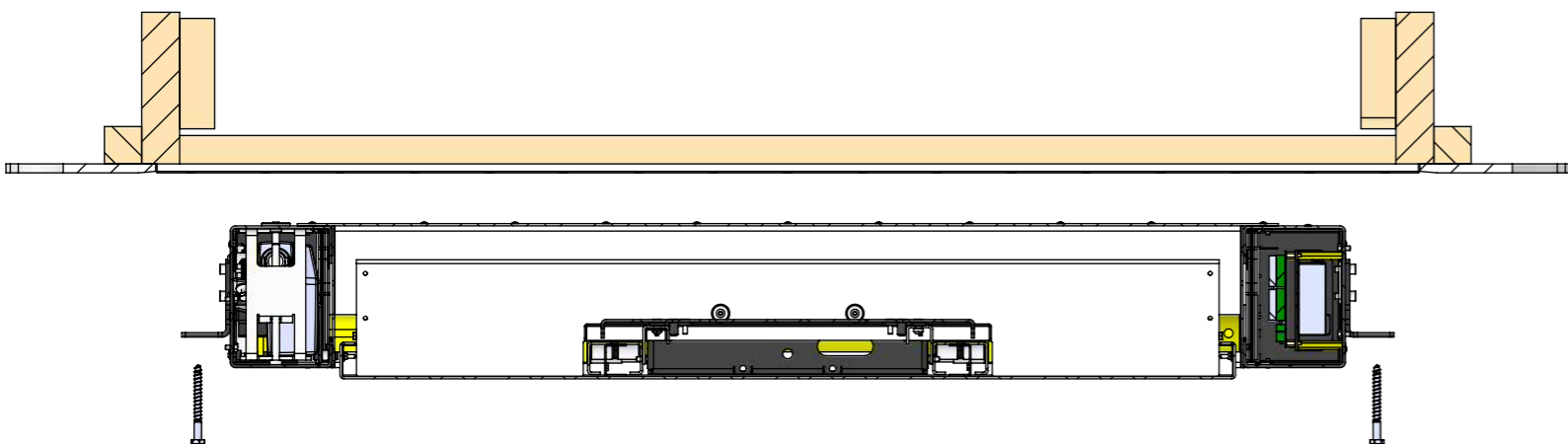
CHR6-RES

RESIDENTIAL CEILING HINGE RANGE

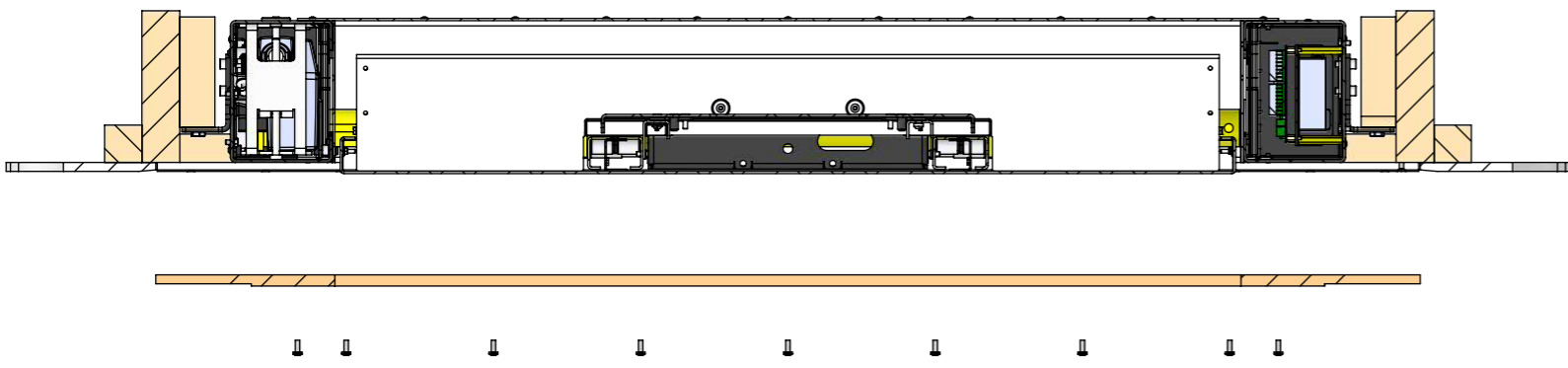
INSTALLATION PRECEDURE

1. MECHANISM INSTALLATION

THE INSTALLATION PROCEDURE IS CARRIED OUT IN THE SAME WAY FOR OPTION 1 OR OPTION 2

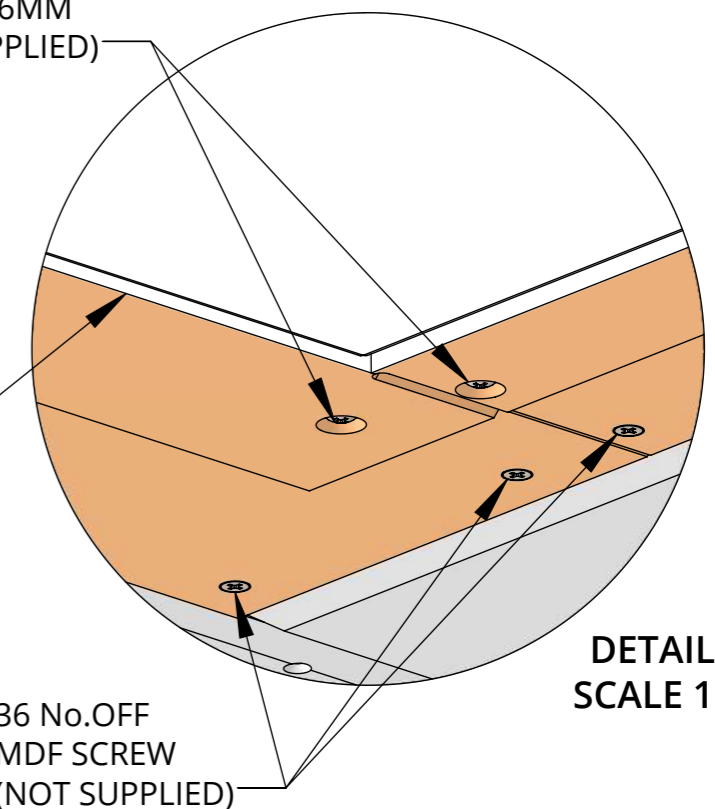


2. MDF PLASTER TRIM INSTALLATION



28 No. OFF
SS M6 x 16MM
POZI (SUPPLIED)

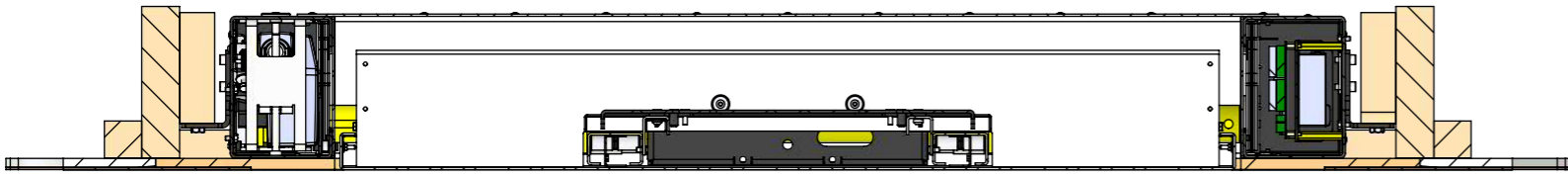
7mm [1/4"]
Shadow Gap
Around Tray



DETAIL C
SCALE 1 : 3

36 No.OFF
MDF SCREW
(NOT SUPPLIED)

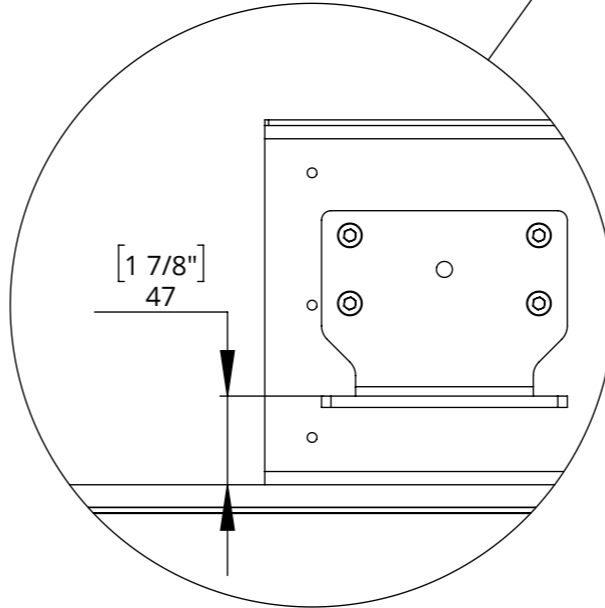
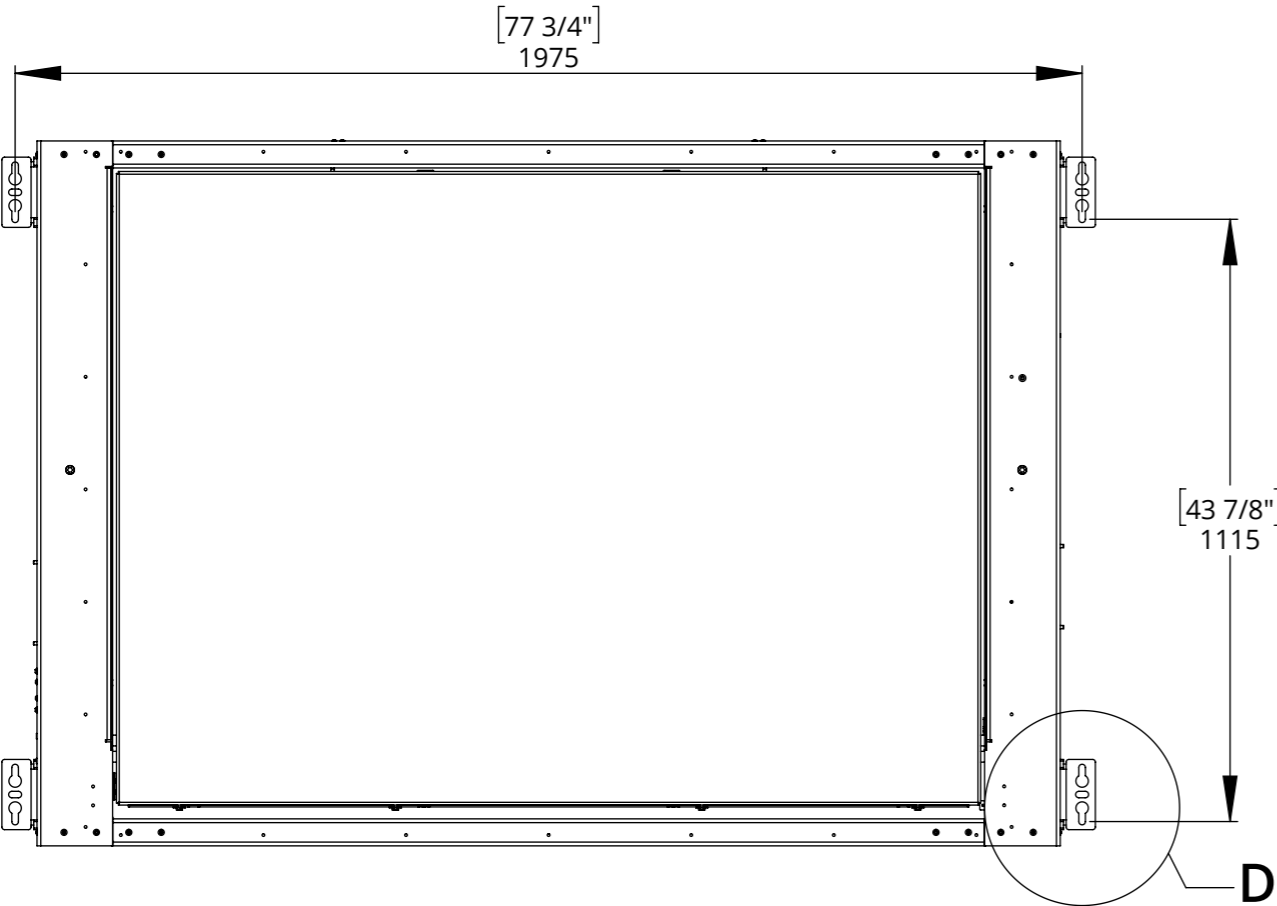
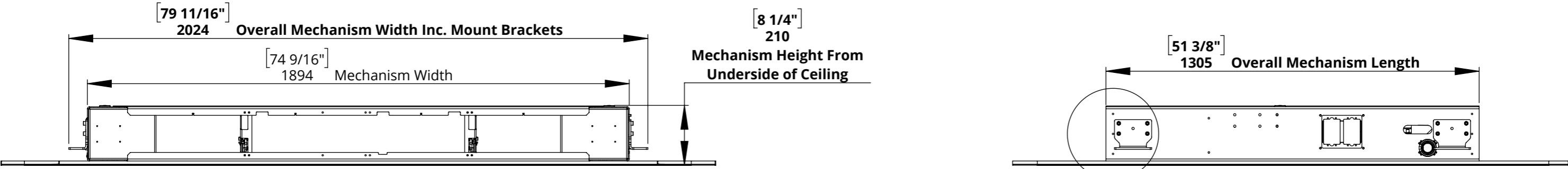
3. PLASTERING



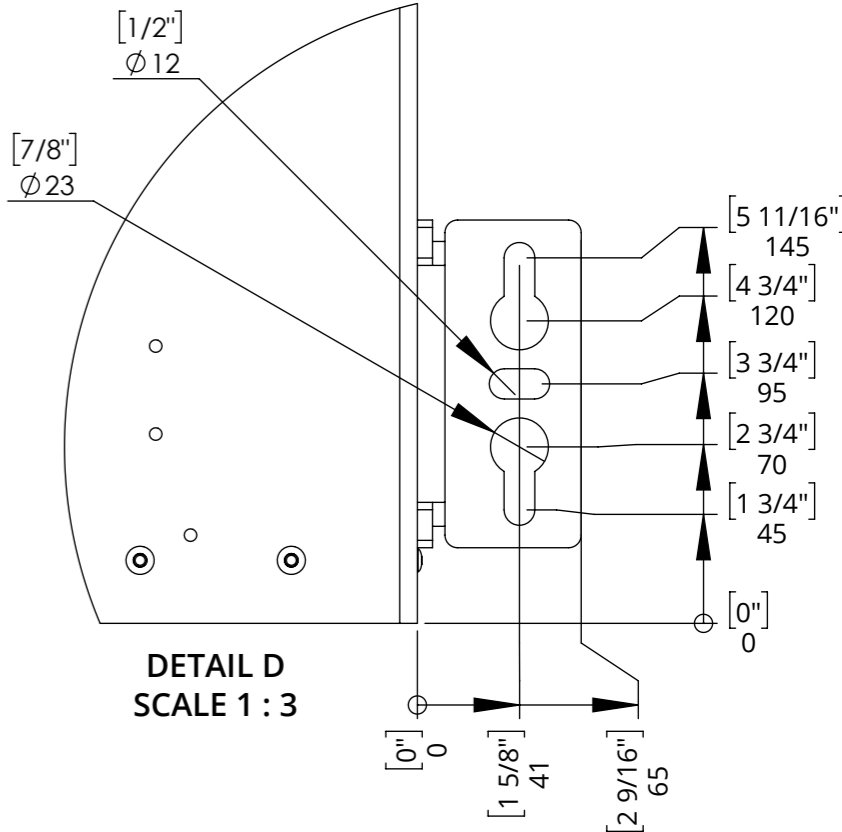
CHR6-RES

RESIDENTIAL CEILING HINGE RANGE

MECHANISM DIMENSIONS - CLOSED



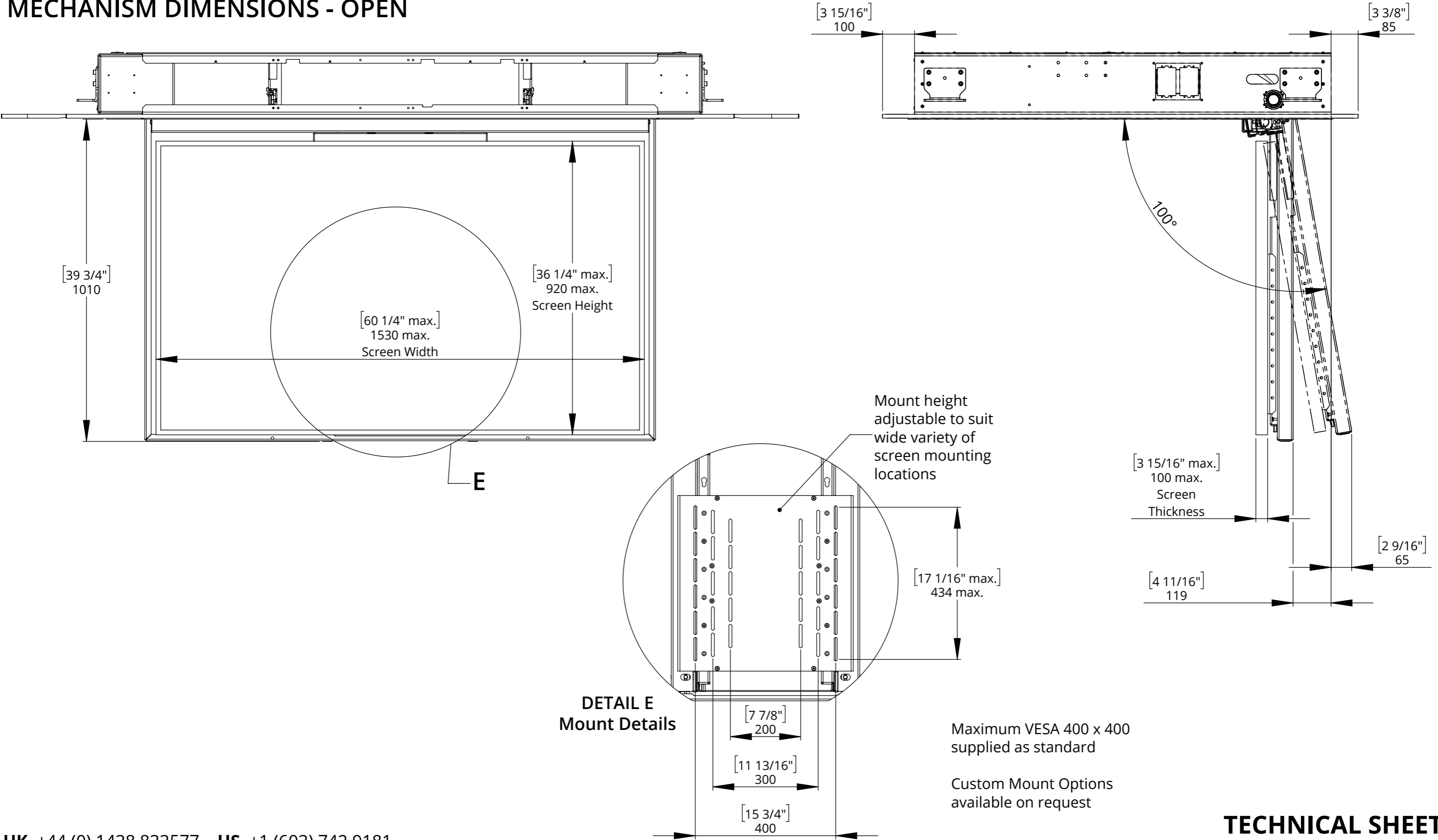
FIXING DETAIL
 Mechanism mounted on M12 [0.5] Studding or fixed to underside of the ceiling joist structure, both using the mounting brackets installed on mechanism as standard



CHR6-RES

RESIDENTIAL CEILING HINGE RANGE

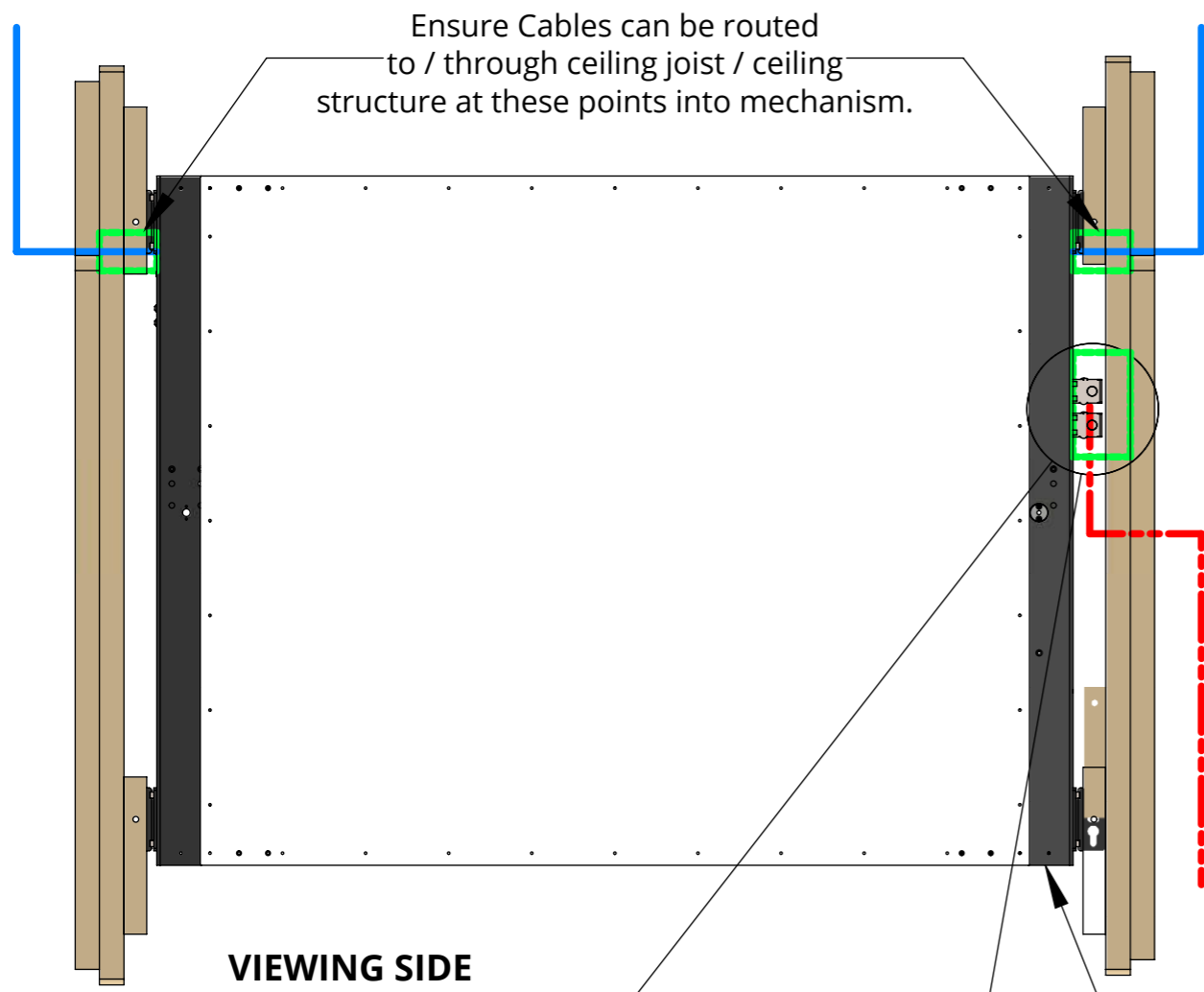
MECHANISM DIMENSIONS - OPEN



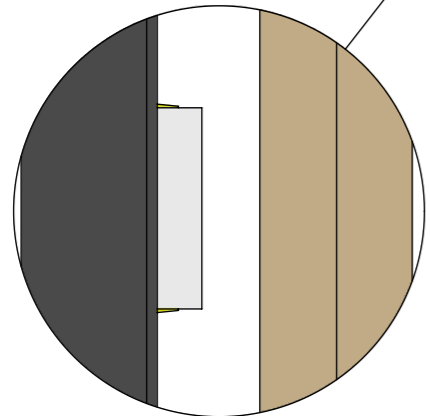
CHR6-RES RESIDENTIAL CEILING HINGE RANGE

CEILING PREPARATION

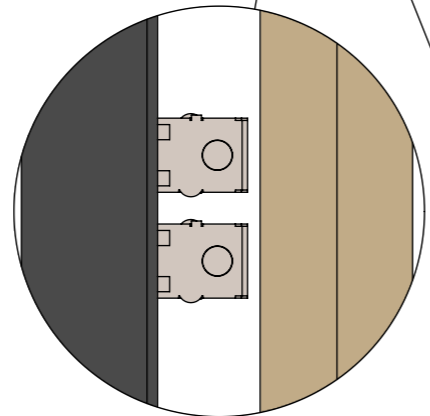
- AV Signal Cables / Mechanism Control Cables
- - - Power Cable for Mechanism and AV



VIEWING SIDE



UK 2G Mains Plasterboard Back Box



2 No. US J-Box

Cable Routing

Cables for the screen can be routed in from both sides, allowing for power and signal cables to be separated when entering the mechanism.

The opening on both sides is MIN. 32mm [1.3"] in diameter allowing for multiple cables to be routed to the screen.

A power outlet mounting plate is supplied in the right hand gearbox allowing for UK and US power outlets to be wired directly into the mechanism.

Mechanism control system housed internally on this side. Accessible from removable internal access hatch.

