

OP6

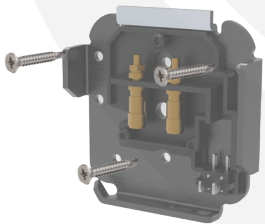
The OP6 outdoor wall mount speaker combines a bass enhancing passive radiator with a 6.5" polypropylene woofer and a 1" aluminum coaxial tweeter to provide crystal clear highs and lows. The OP6 features our Patent Pending Quick Lock™ mounting technology that makes installation a breeze. Quick Lock™ technology allows installers to terminate the wire directly to the wall mount, mount the speaker to complete the termination, adjust the angle and lock it into place using the lever. The OP6 is available in white or black finishes to match any decor.

Learn more about the Quick Lock™ in action by scanning the QR code.

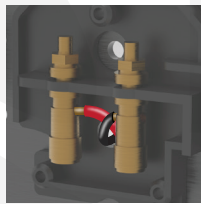


OP6-WT | OP6-BK

Speaker Type	Outdoor, 2-way
Woofer:	6.5" polypropylene
Passive Radiator:	Bass enhancing radiator
Tweeter:	1" aluminum
Power:	25-150W
Impedance:	8Ω
Frequency Response:	65-20kHz
Sensitivity:	89dB
Grill Type:	Aluminum microperf
Speaker Wire Connector:	Quick Lock™ technology
Finish Dimensions:	W:14.5" (368mm) H: 8.3" (211mm) D: 8.9" (226mm)



1. MOUNT THE WALL PLATE



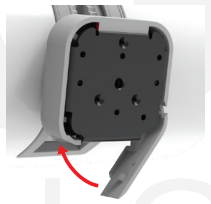
2. TERMINATE WIRES



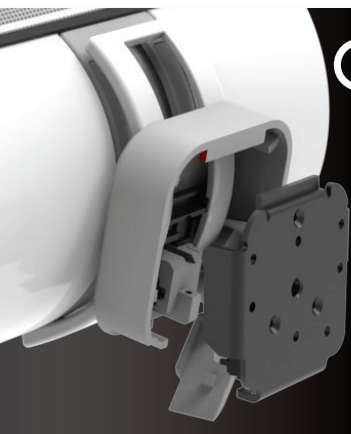
3. ATTACH THE SPEAKER TO THE WALL PLATE



3. ADJUST THE SPEAKER ANGLE



4. CLOSE THE LOCKING LEVER



QUICK LOCK™

BASS ENHANCING
PASSIVE RADIATOR

COAXIAL TWEETER

